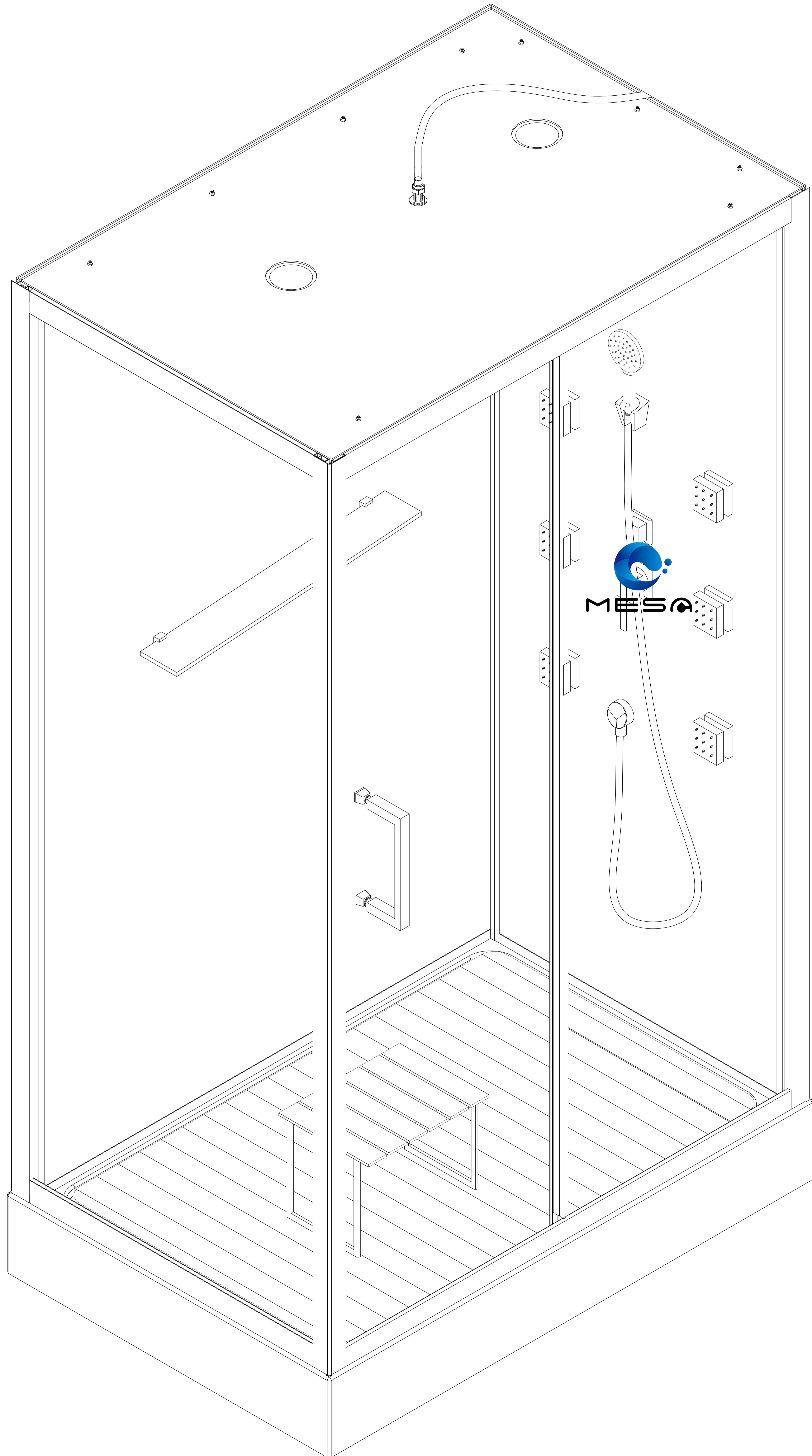
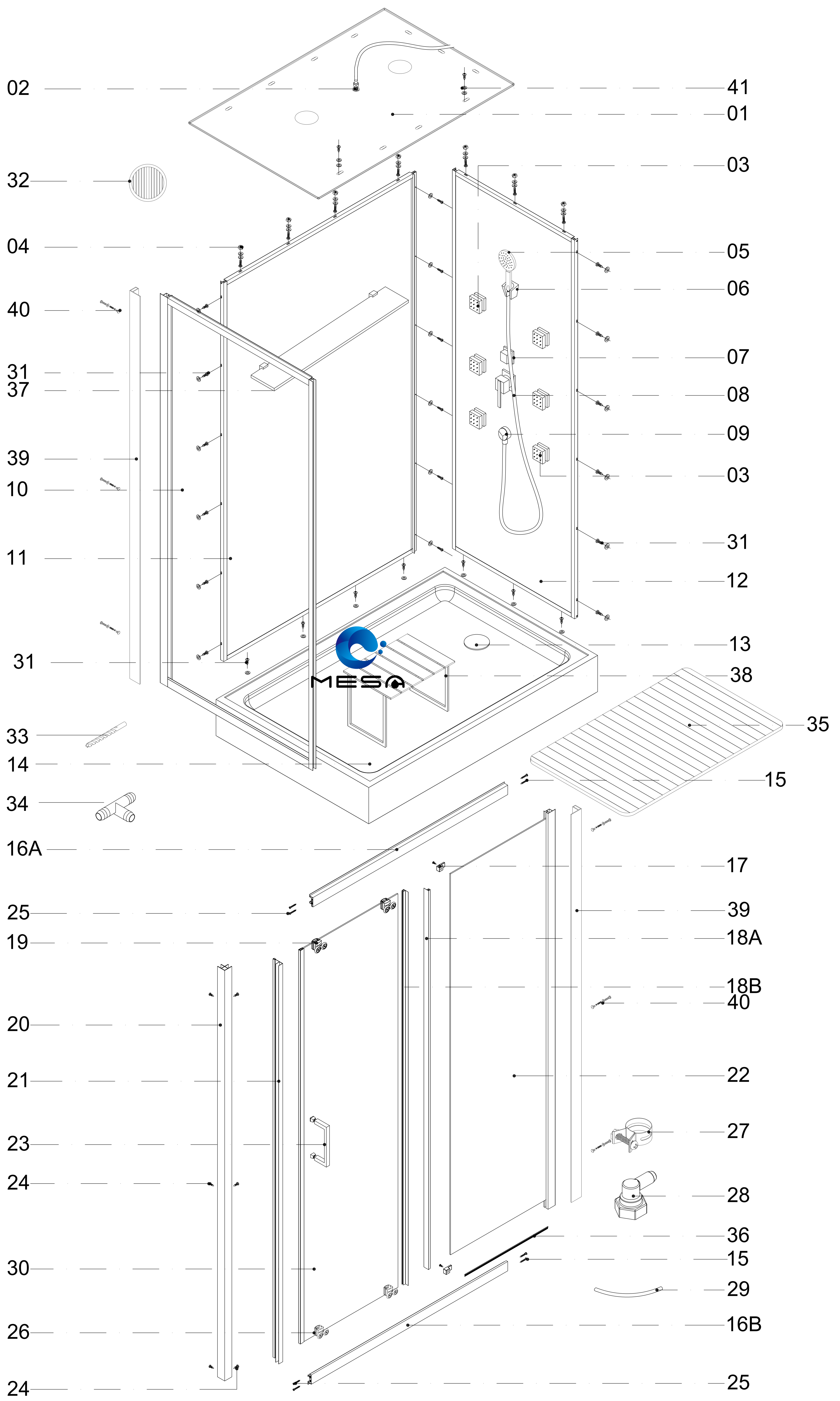
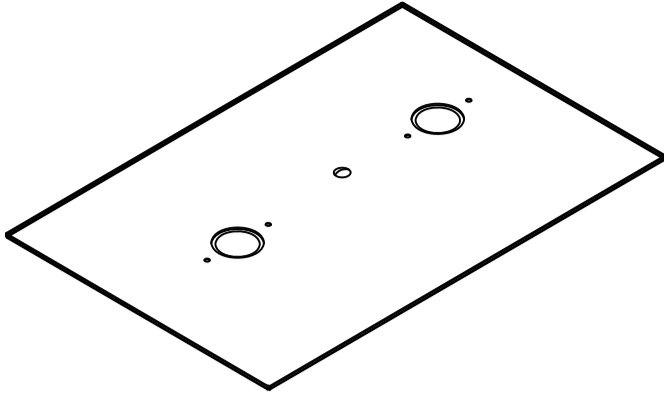
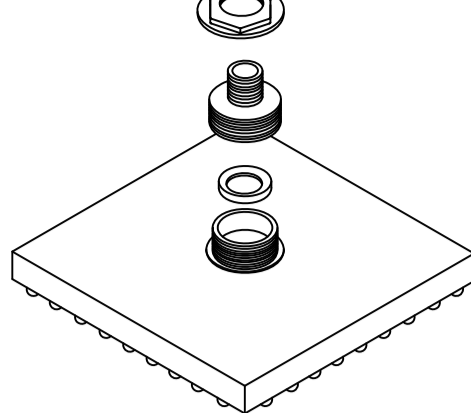
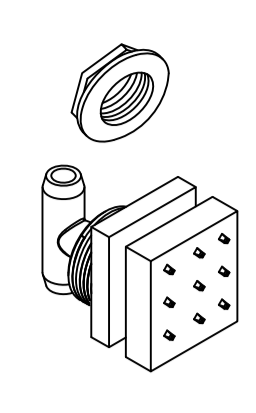
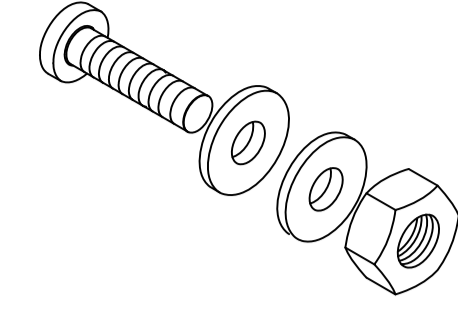
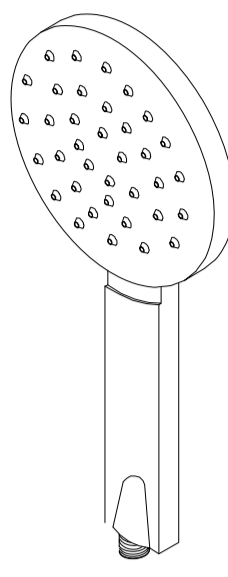
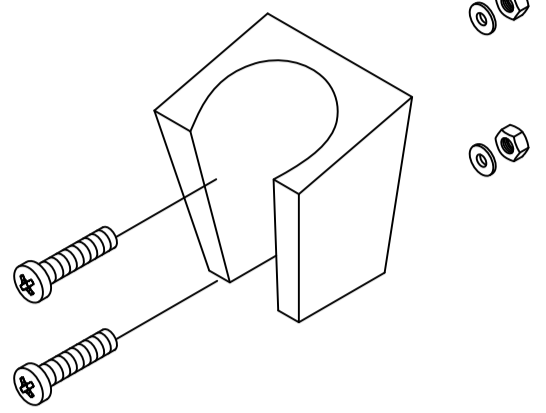
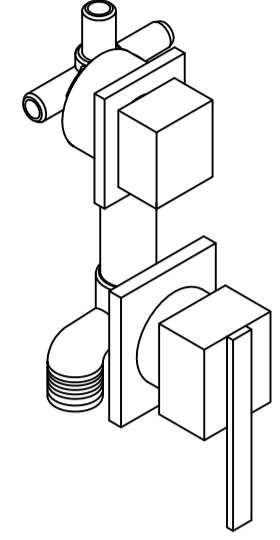
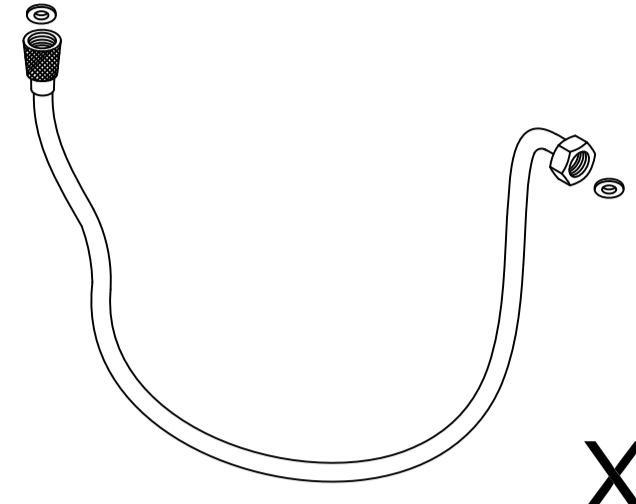
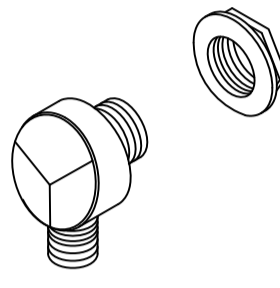
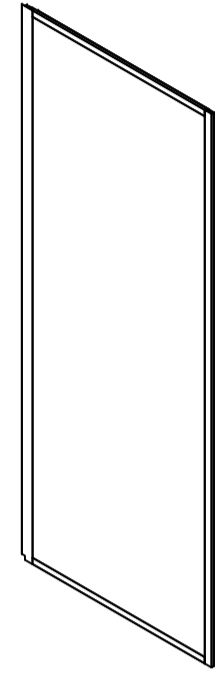
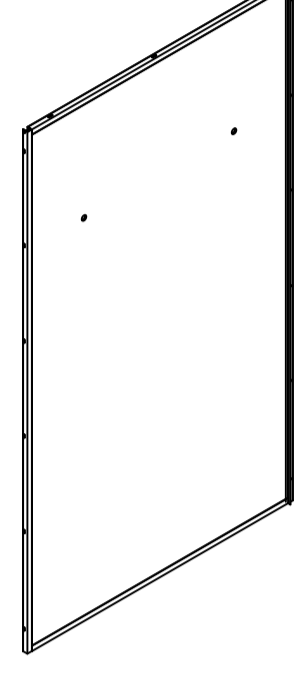
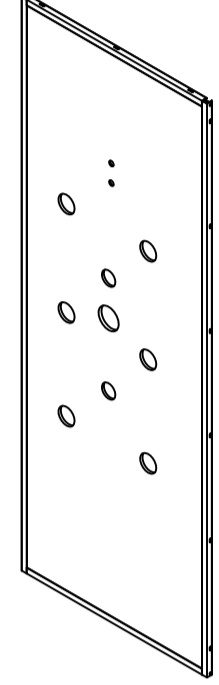
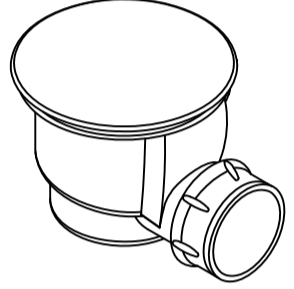
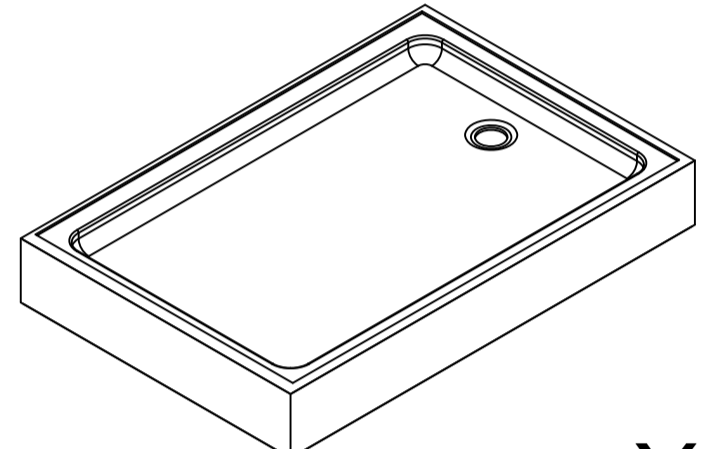
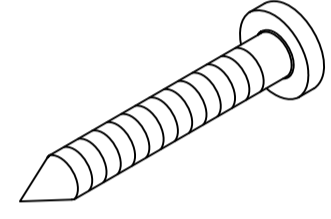
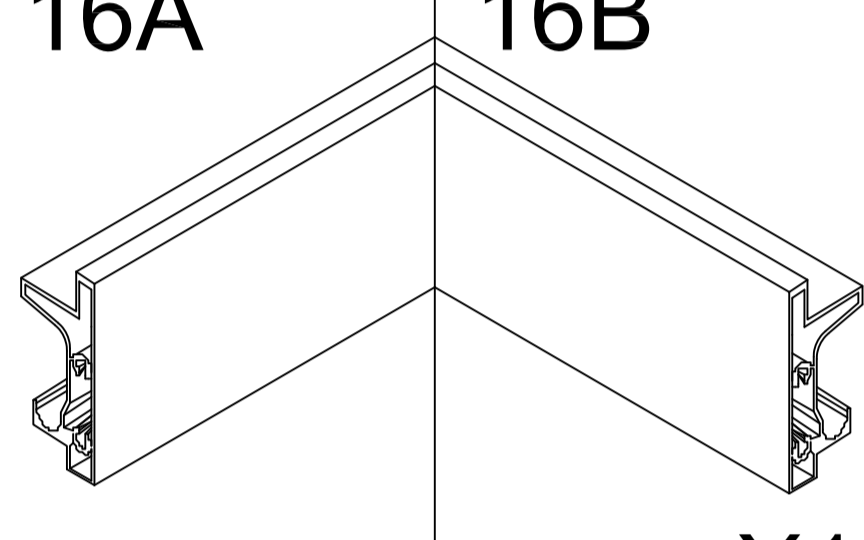
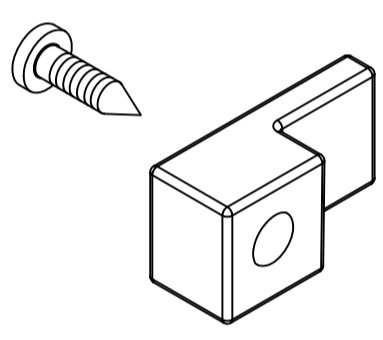
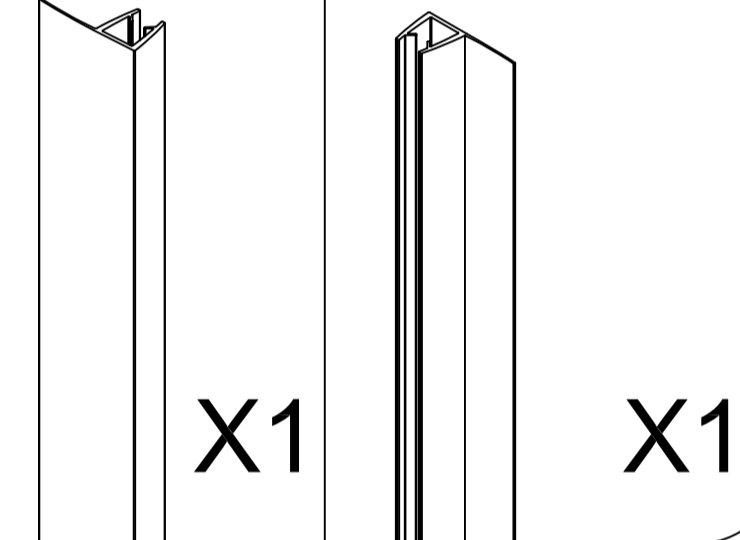
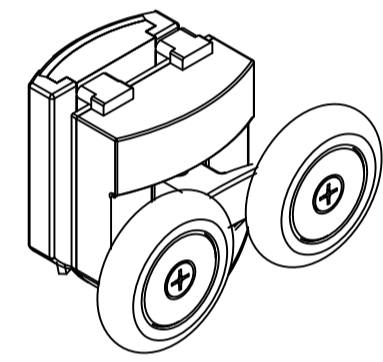
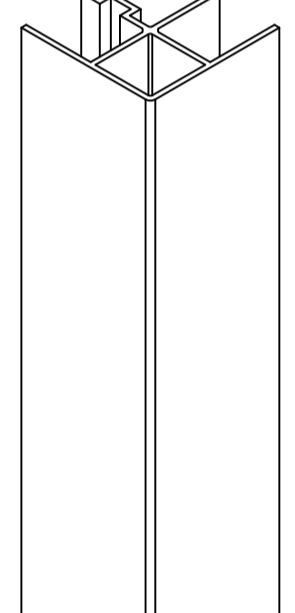
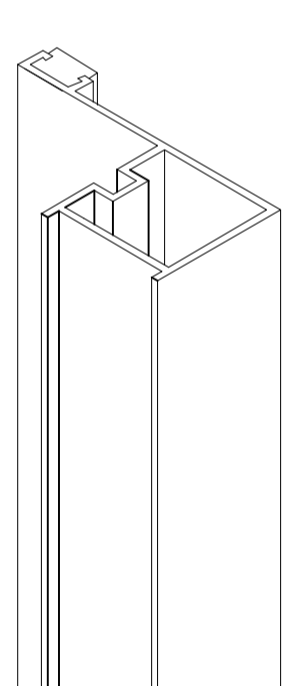
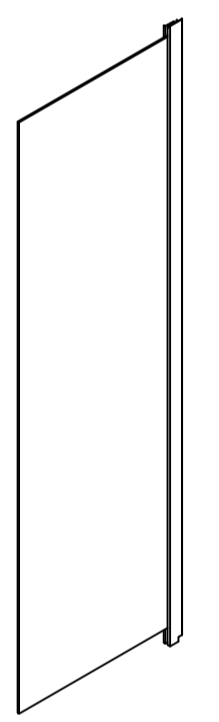
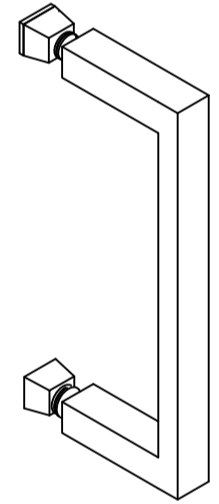
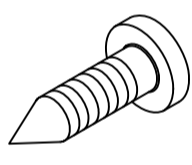
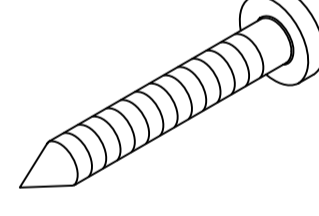
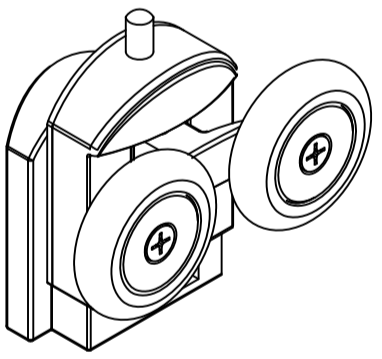
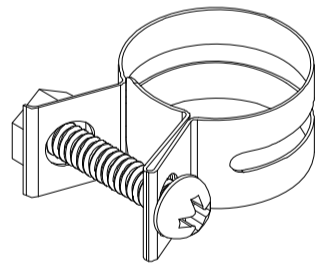
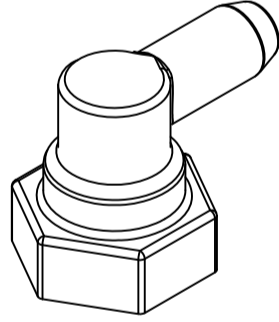
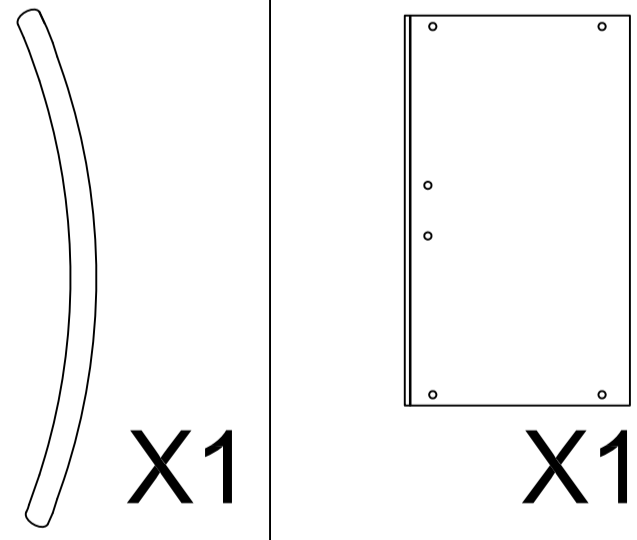
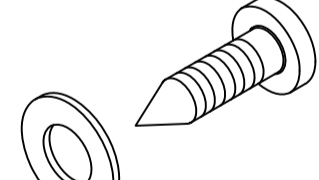
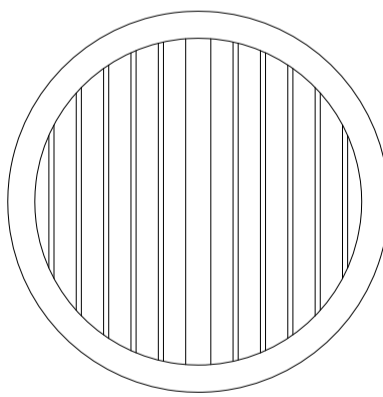
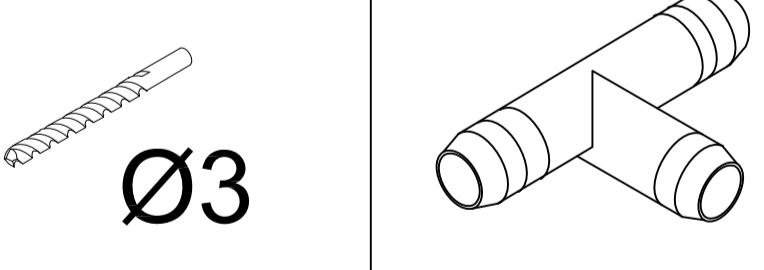
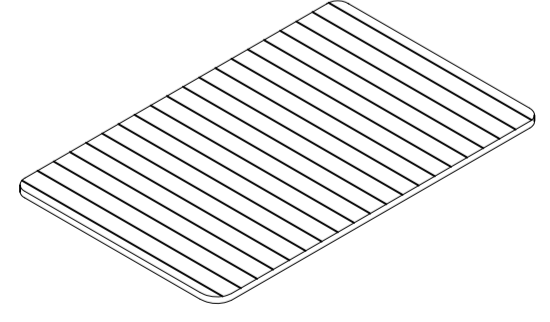
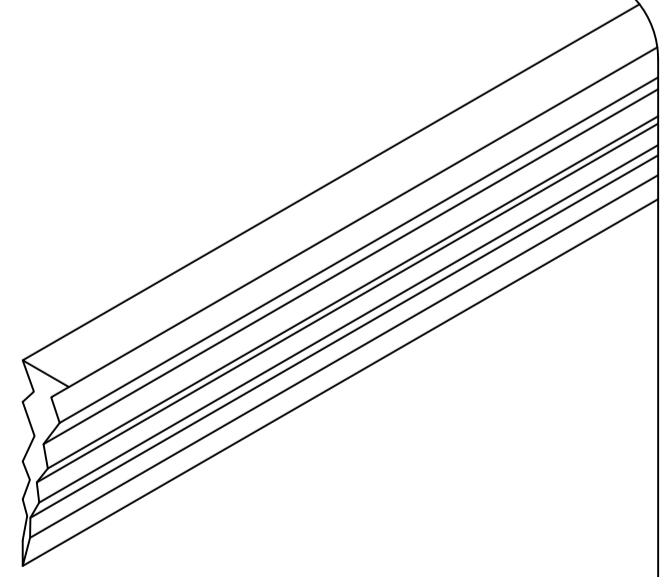
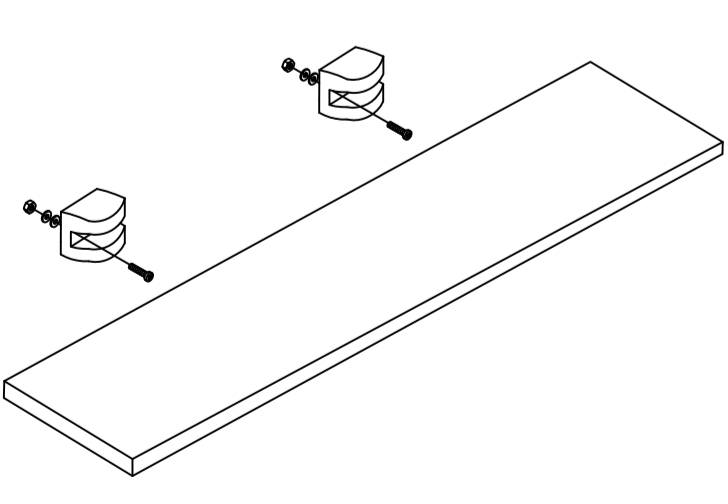
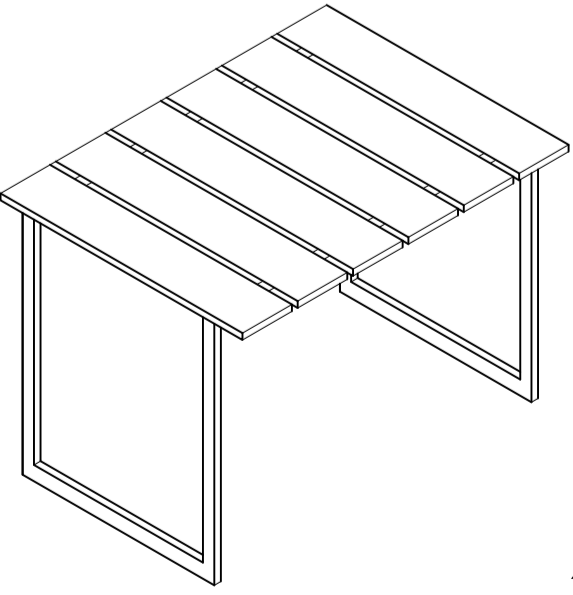

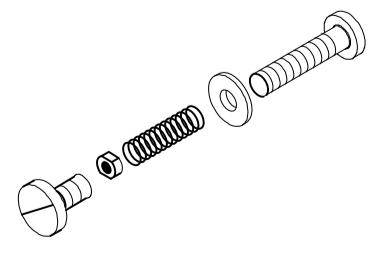
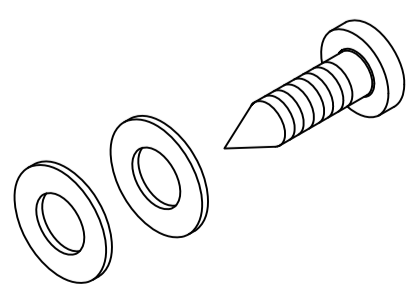
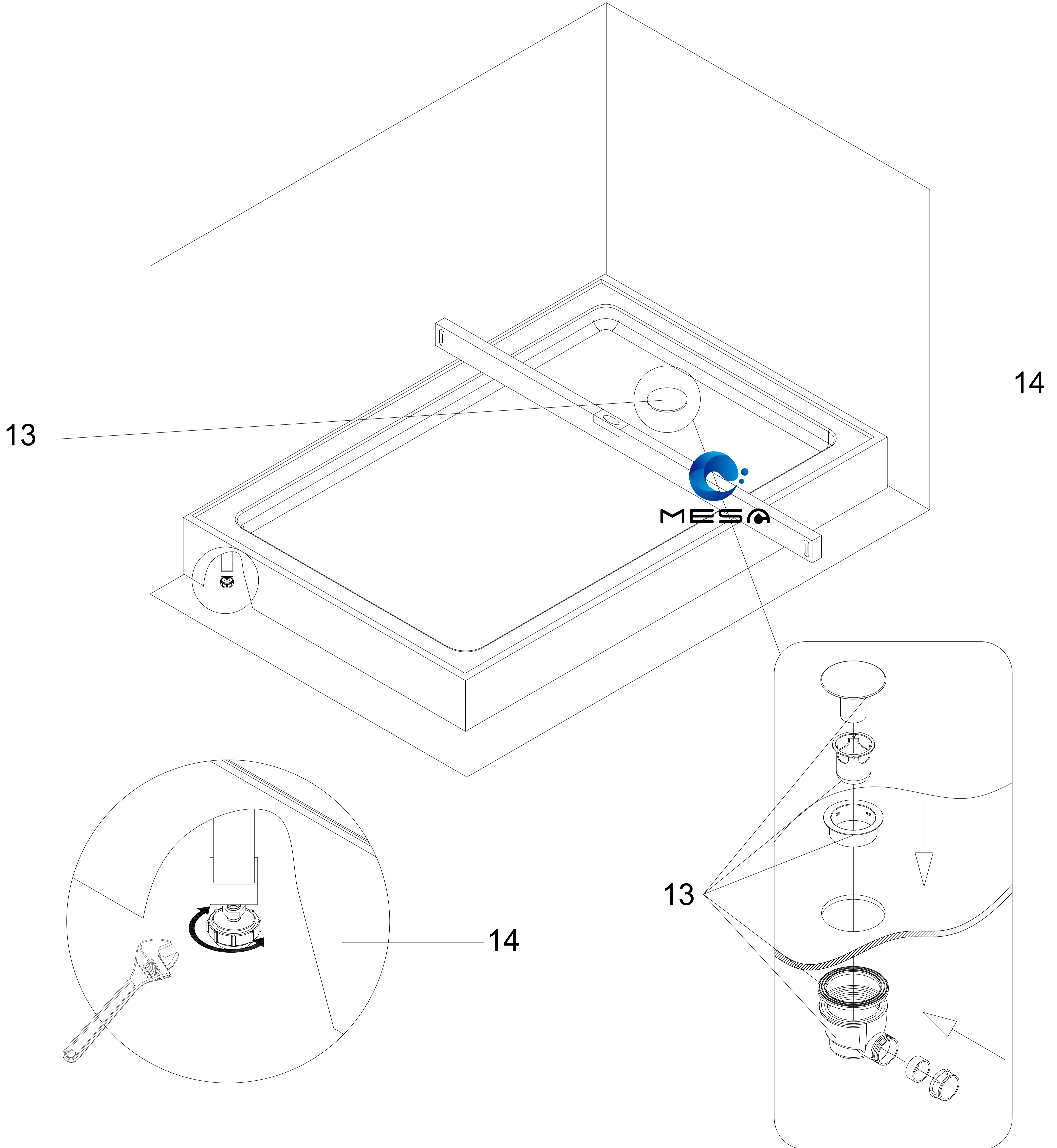
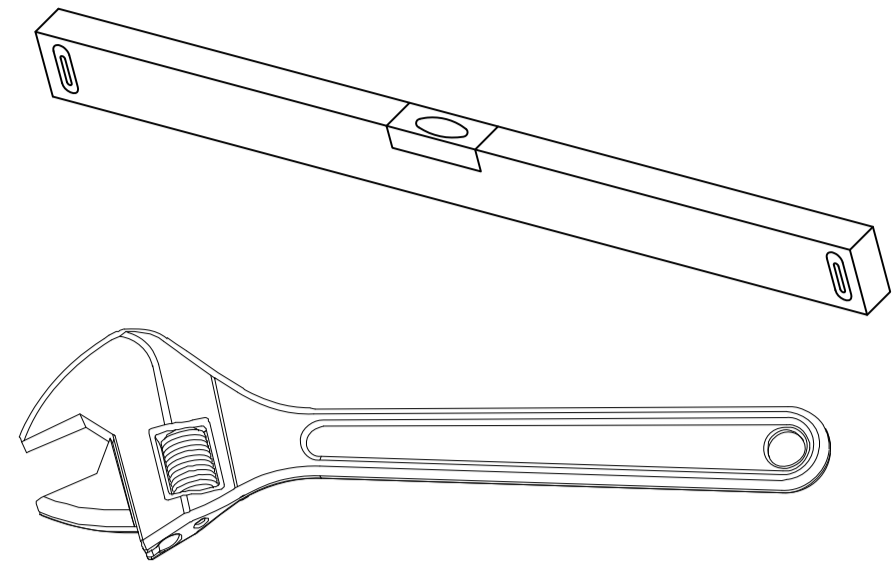
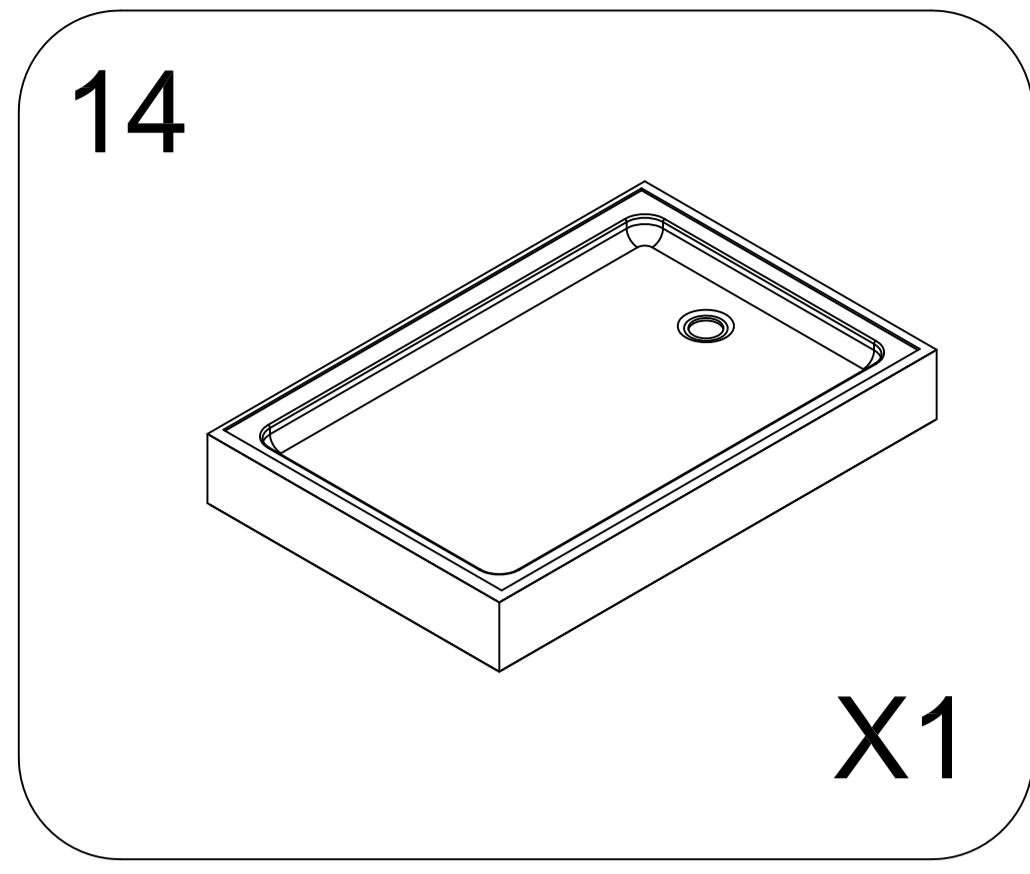
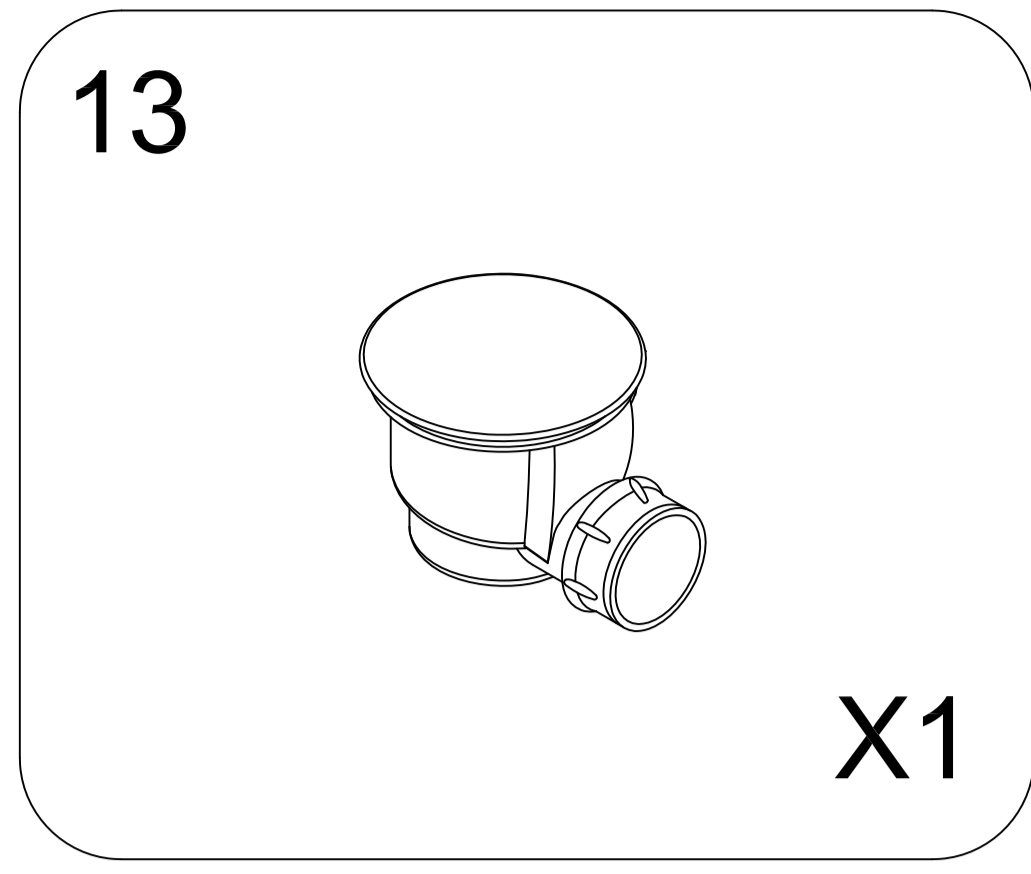


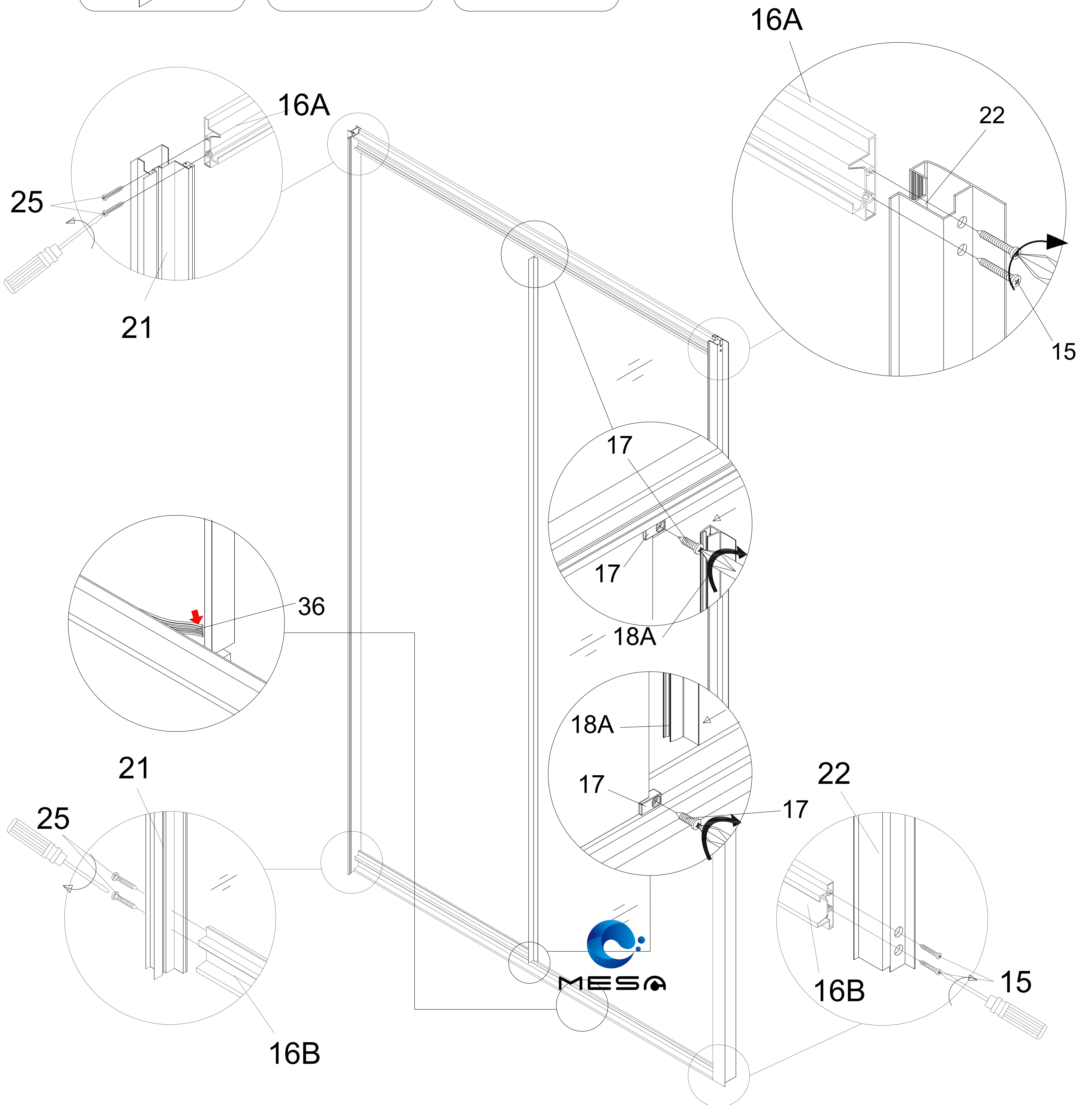
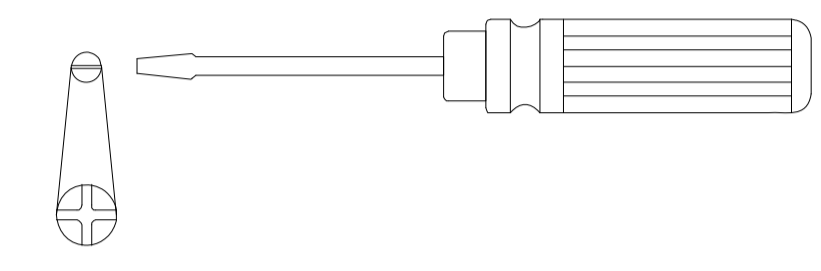
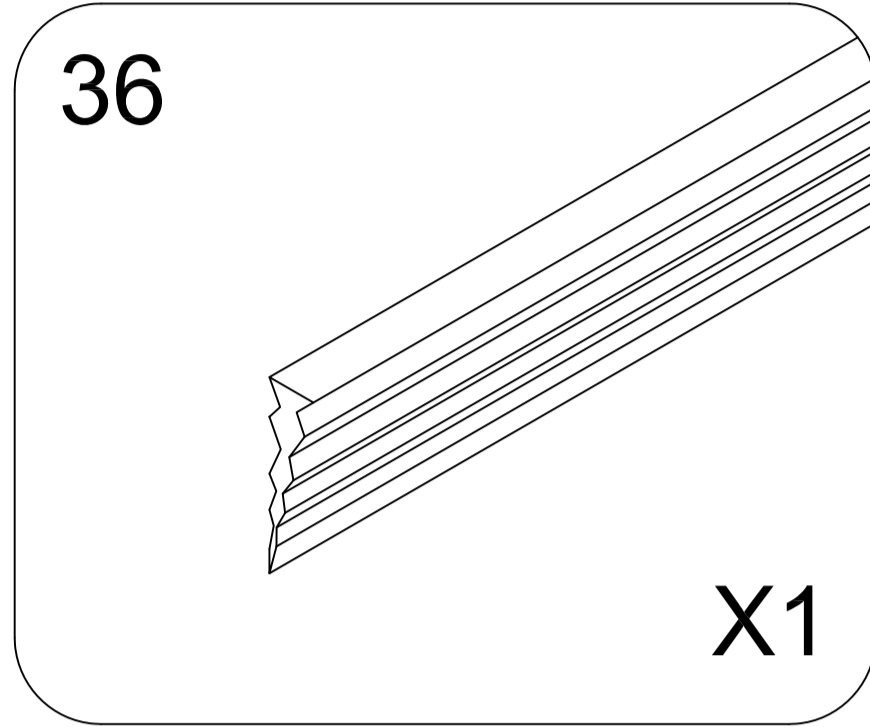
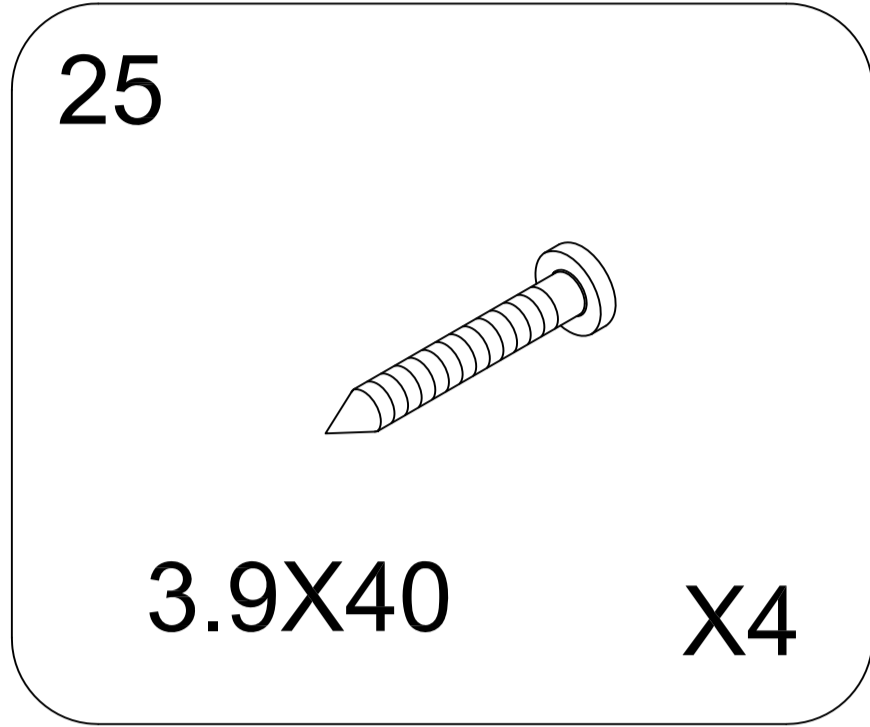
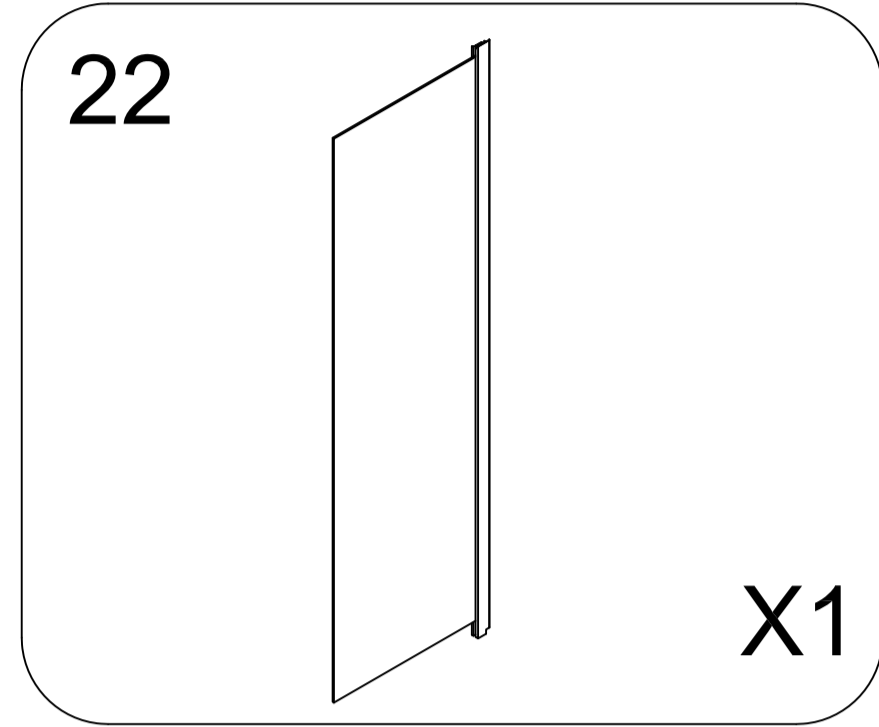
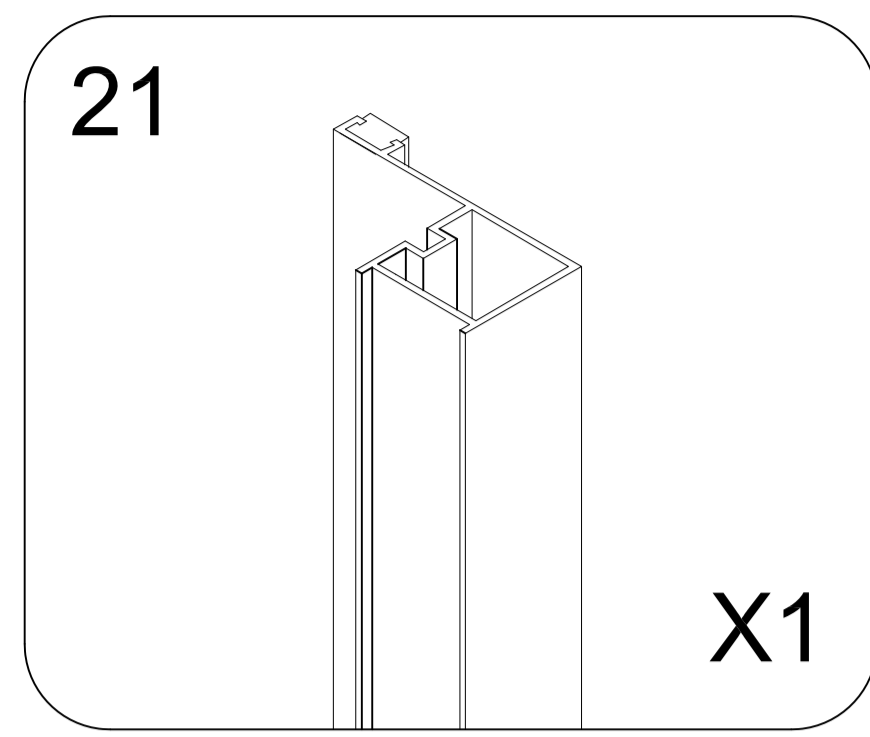
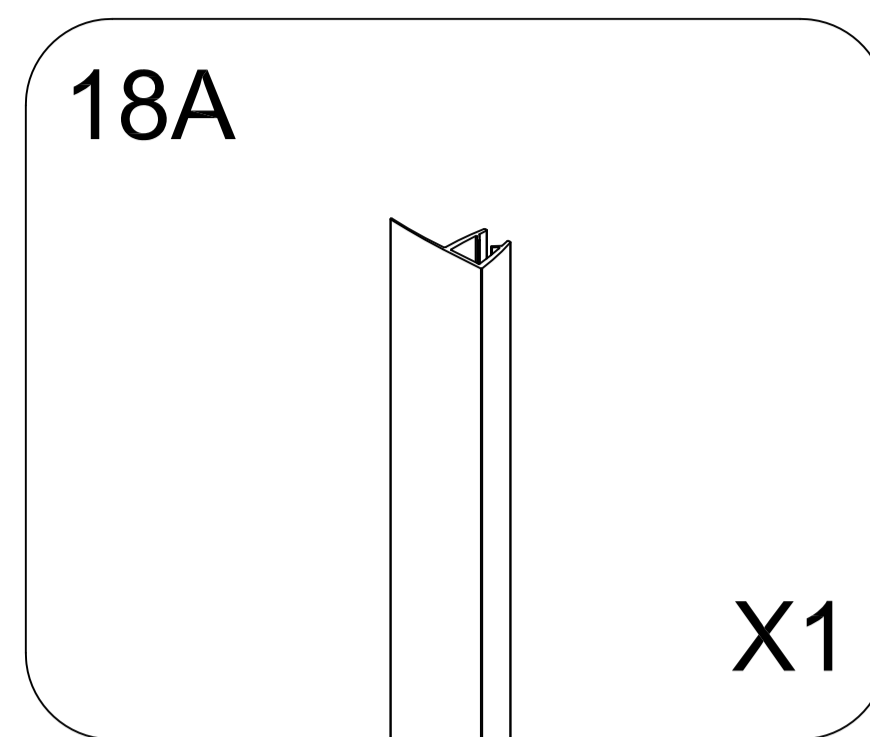
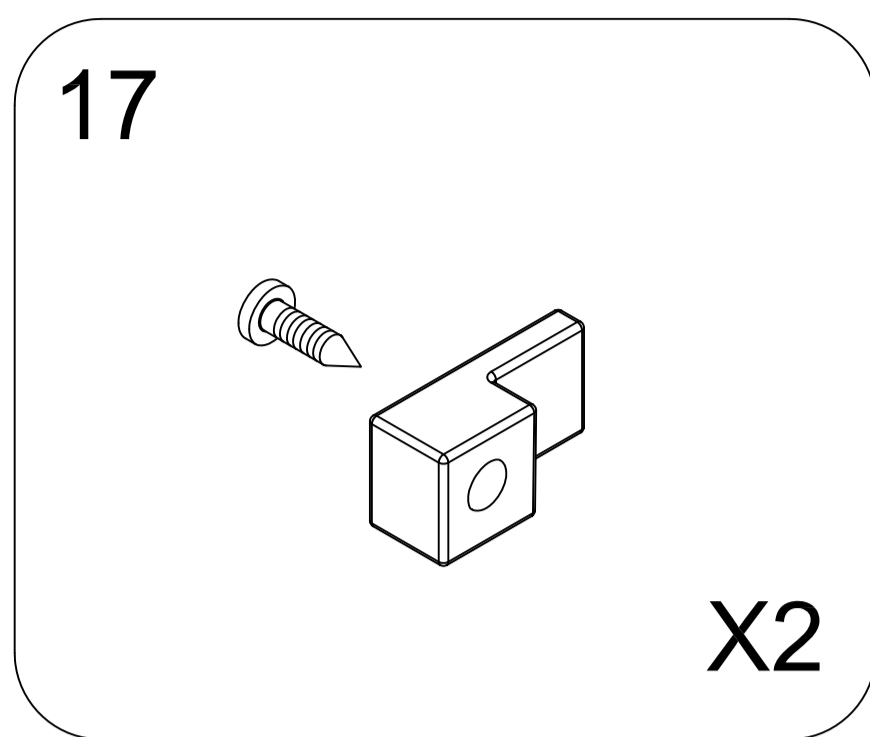
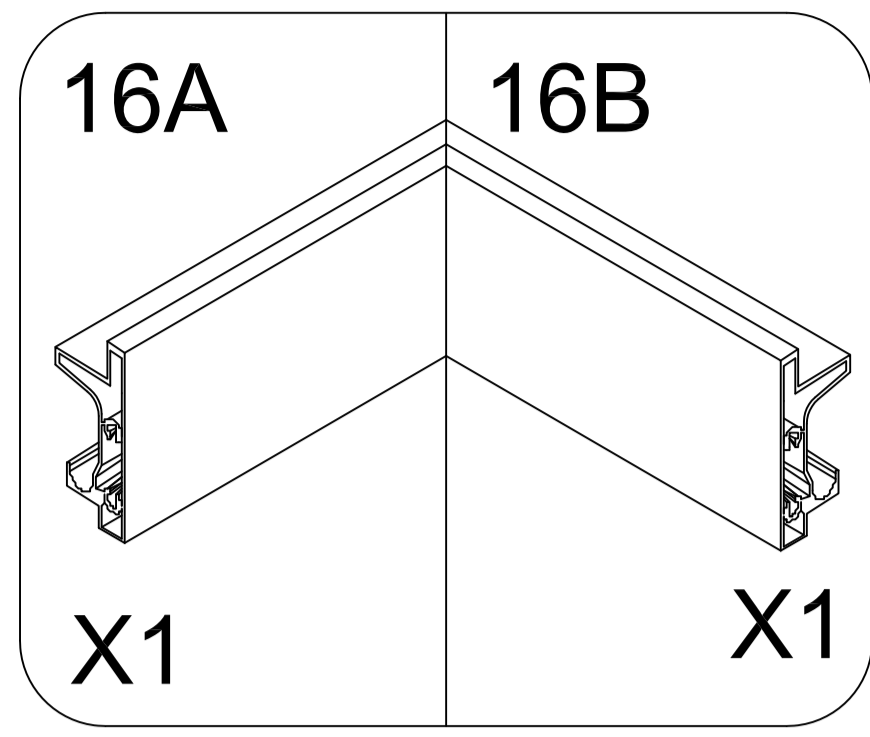
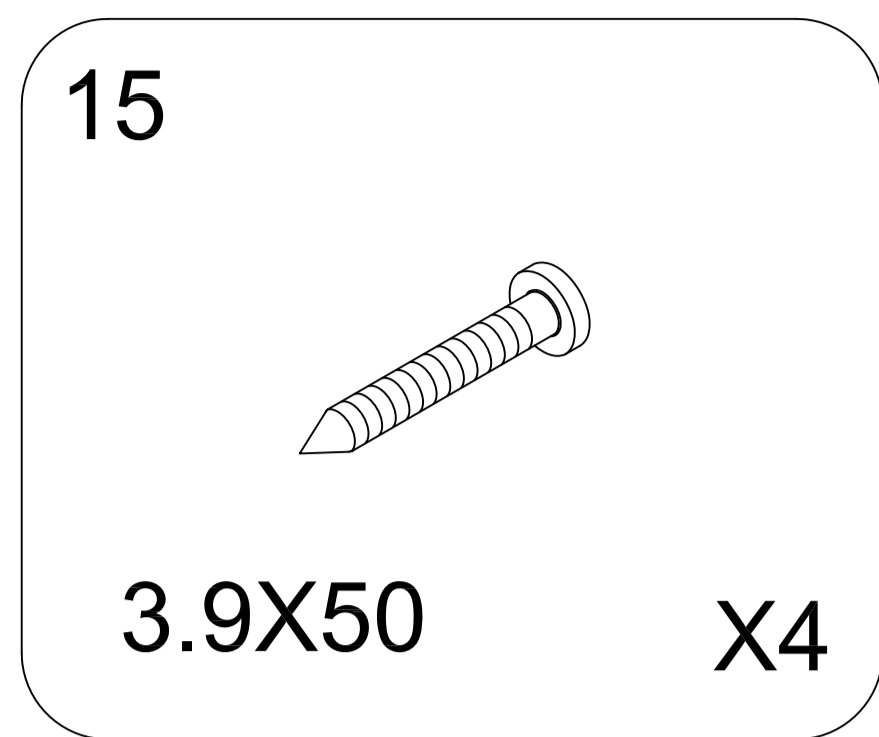
CA9006

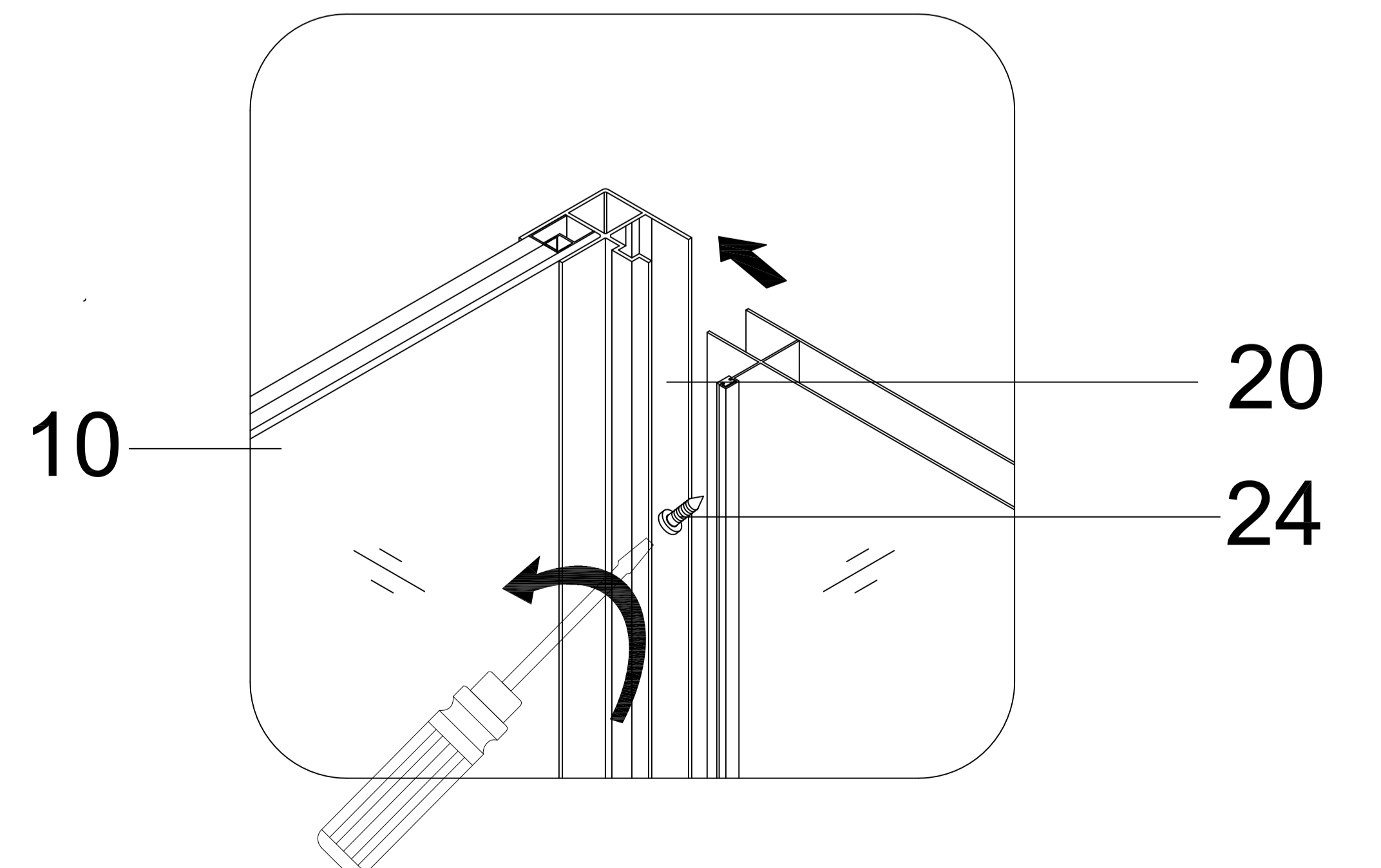
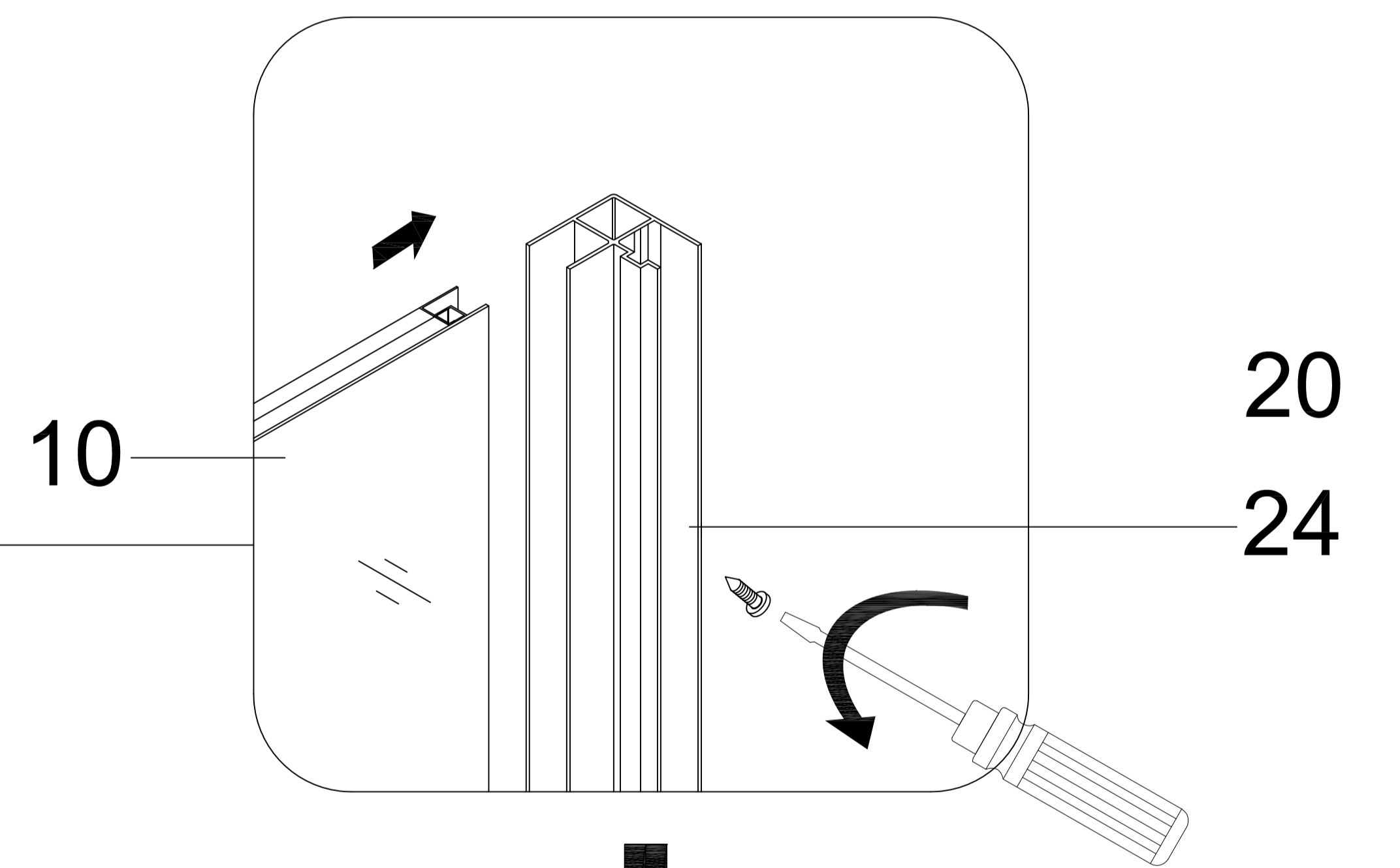
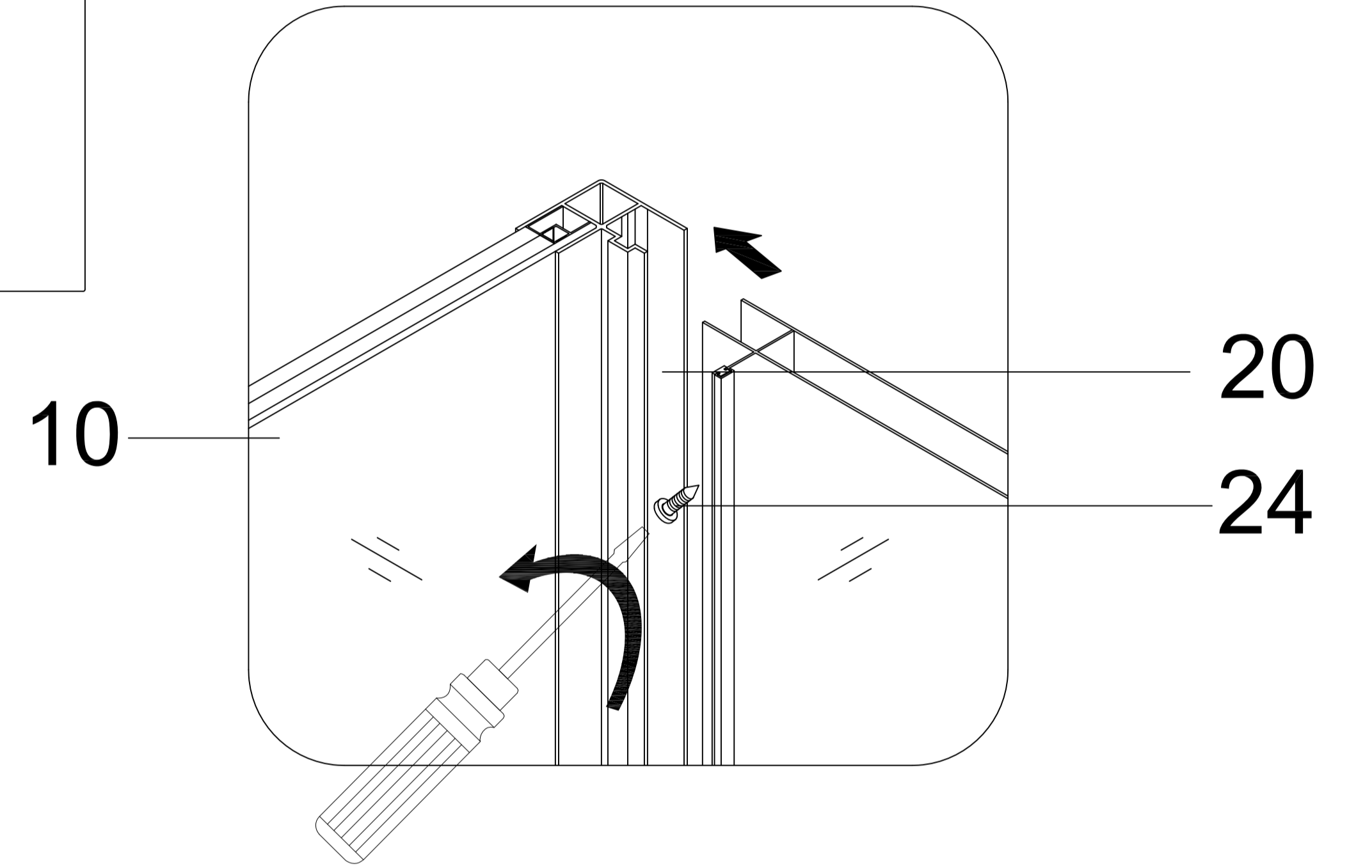
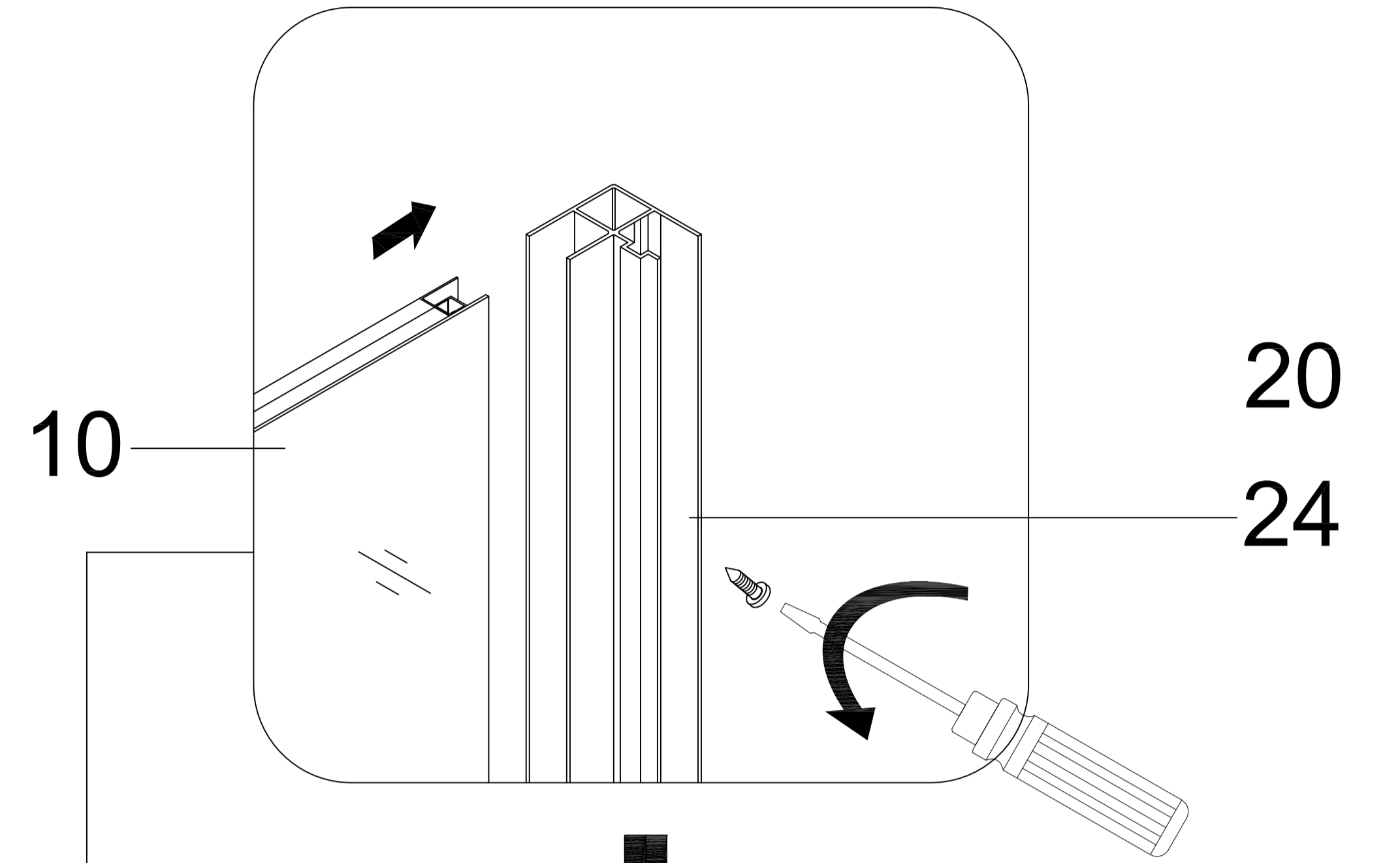
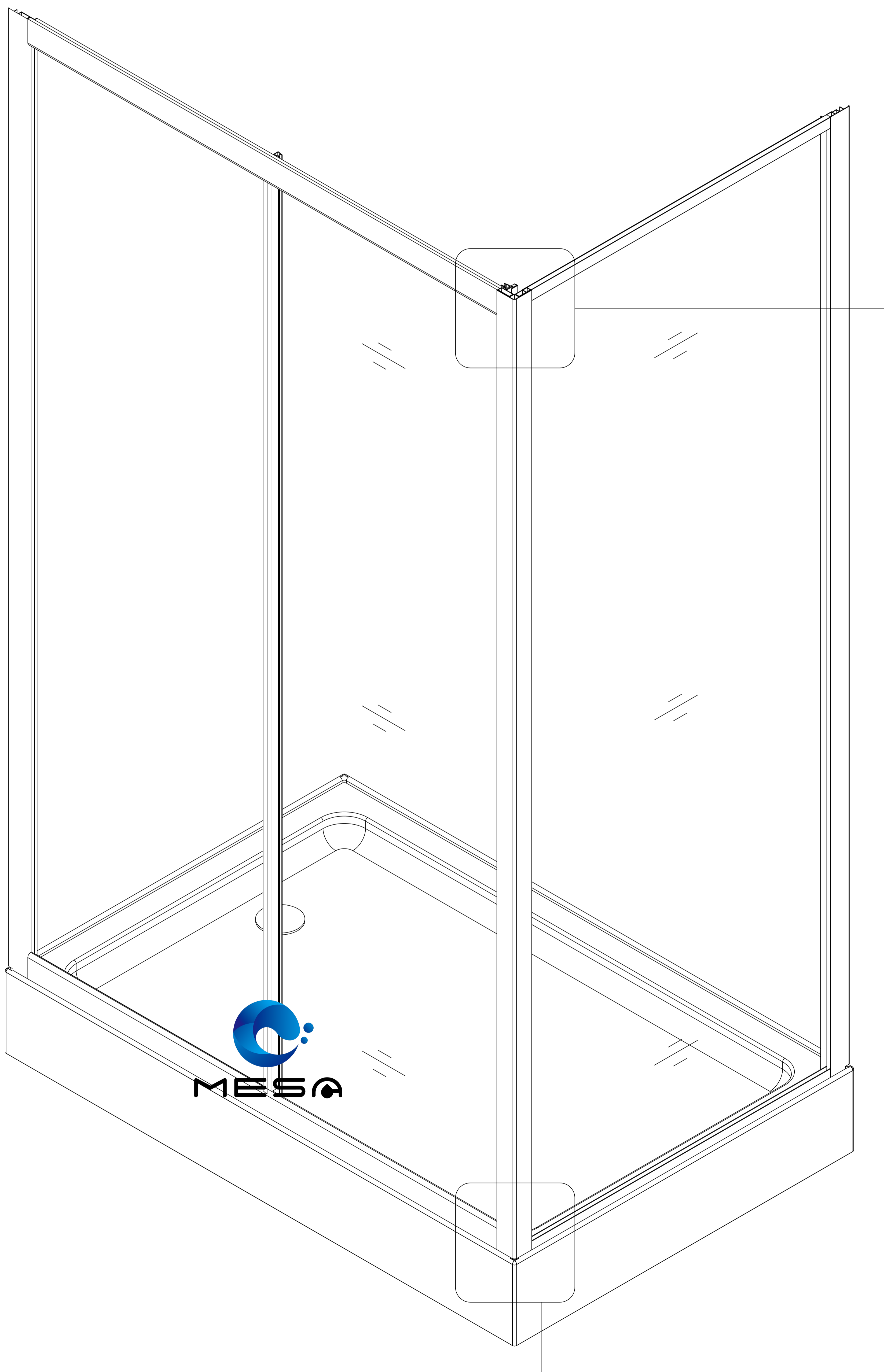
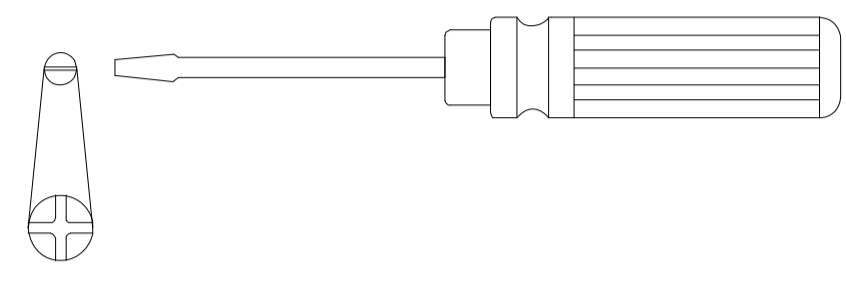
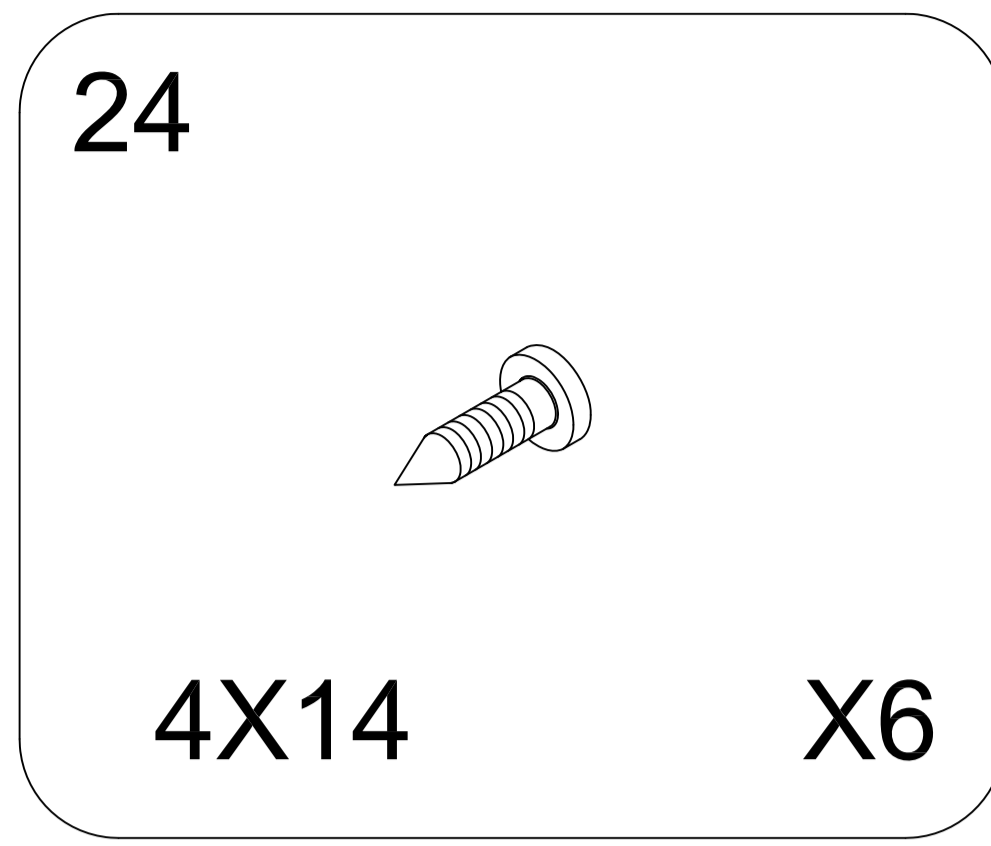
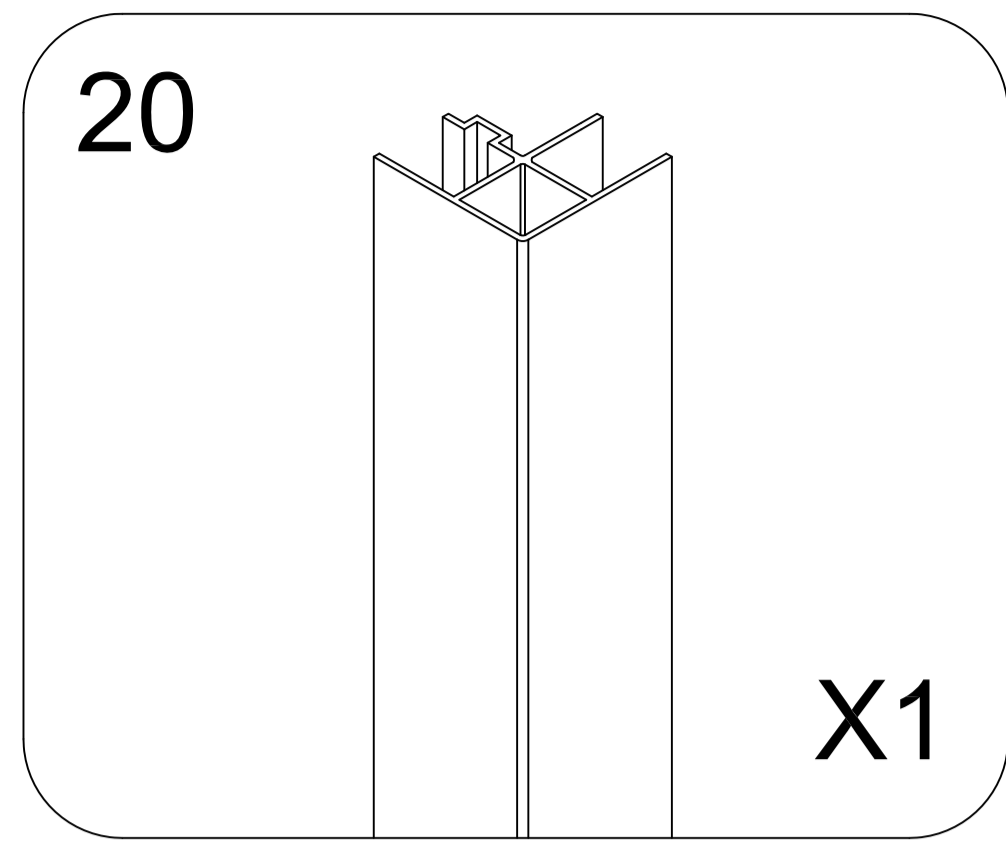
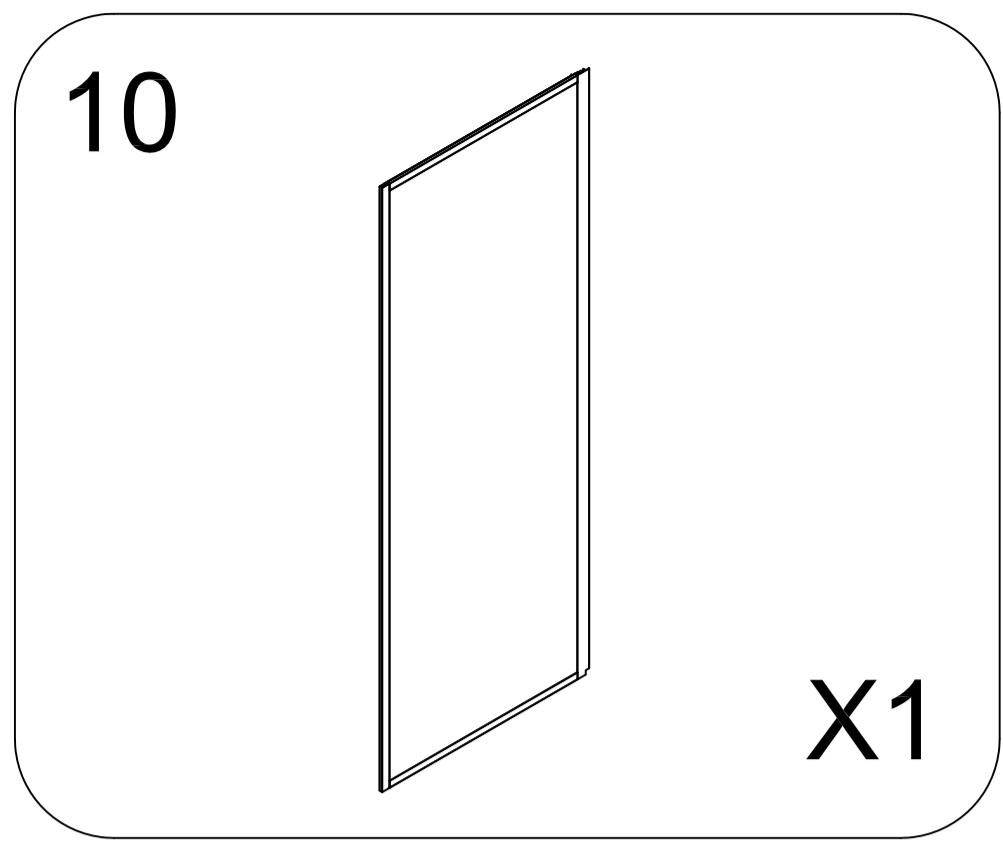


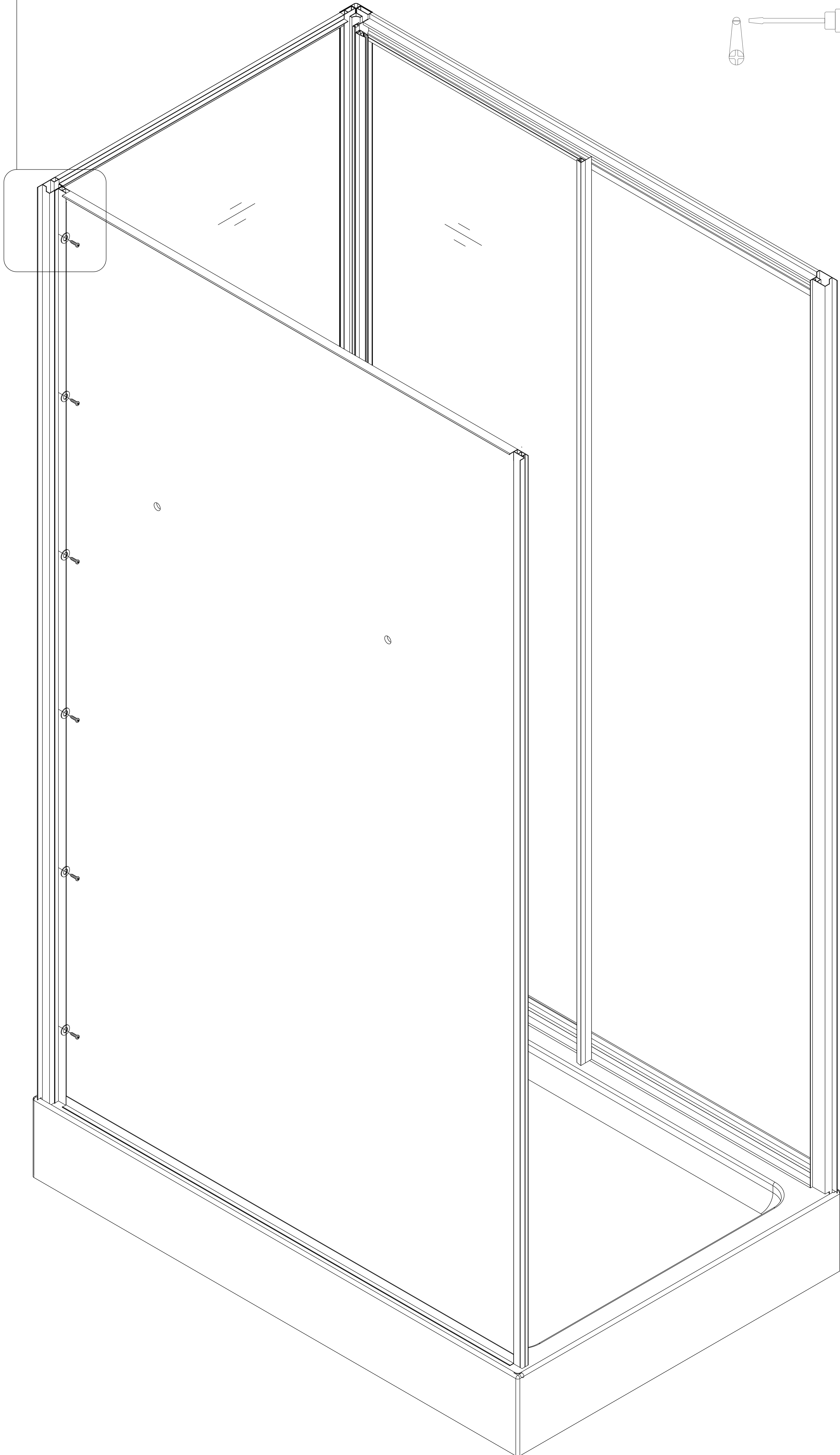
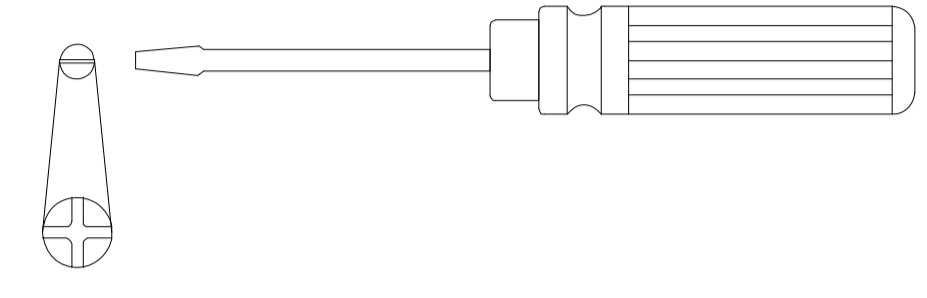
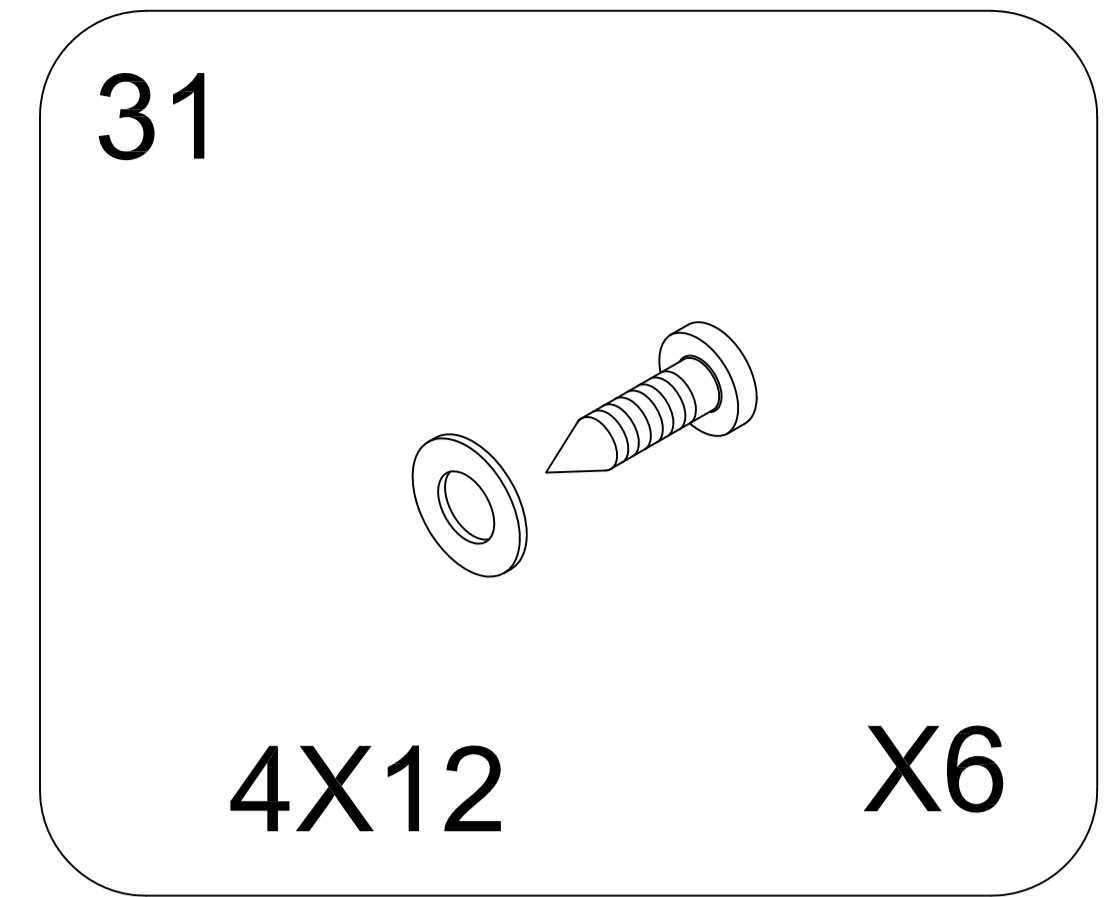
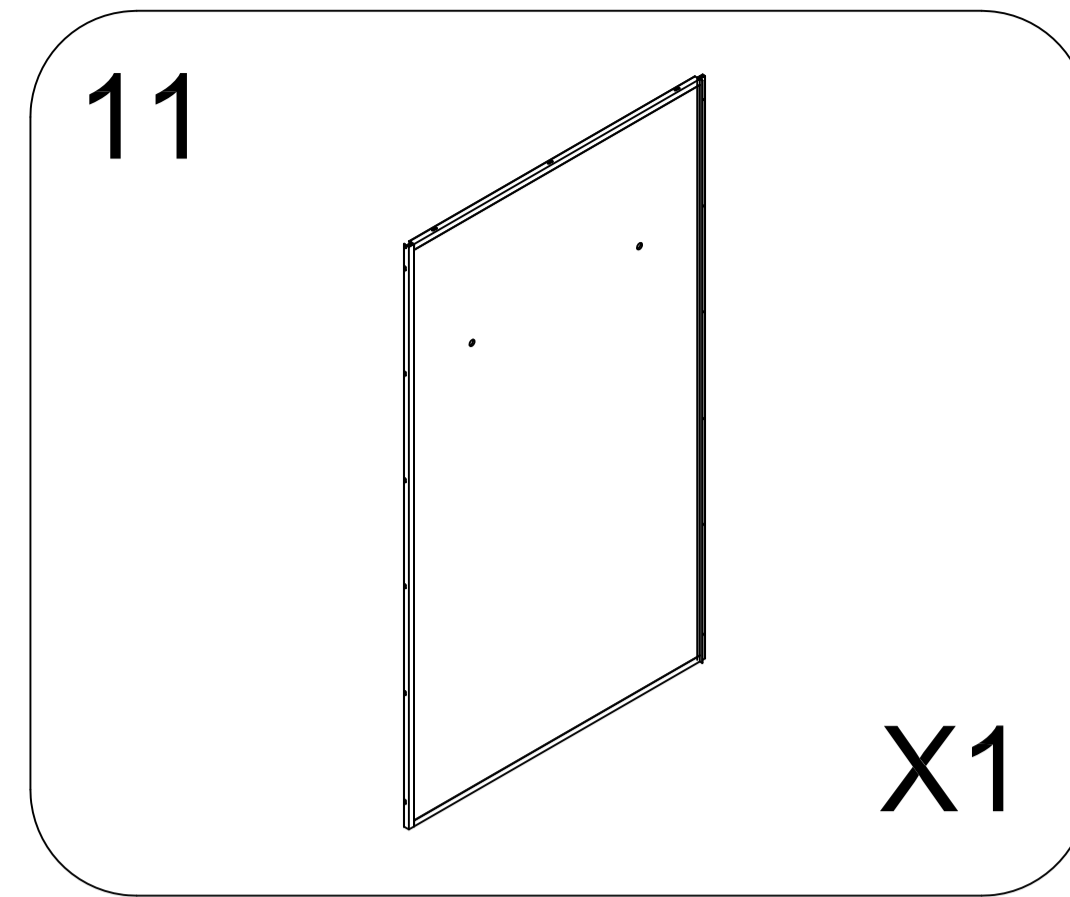


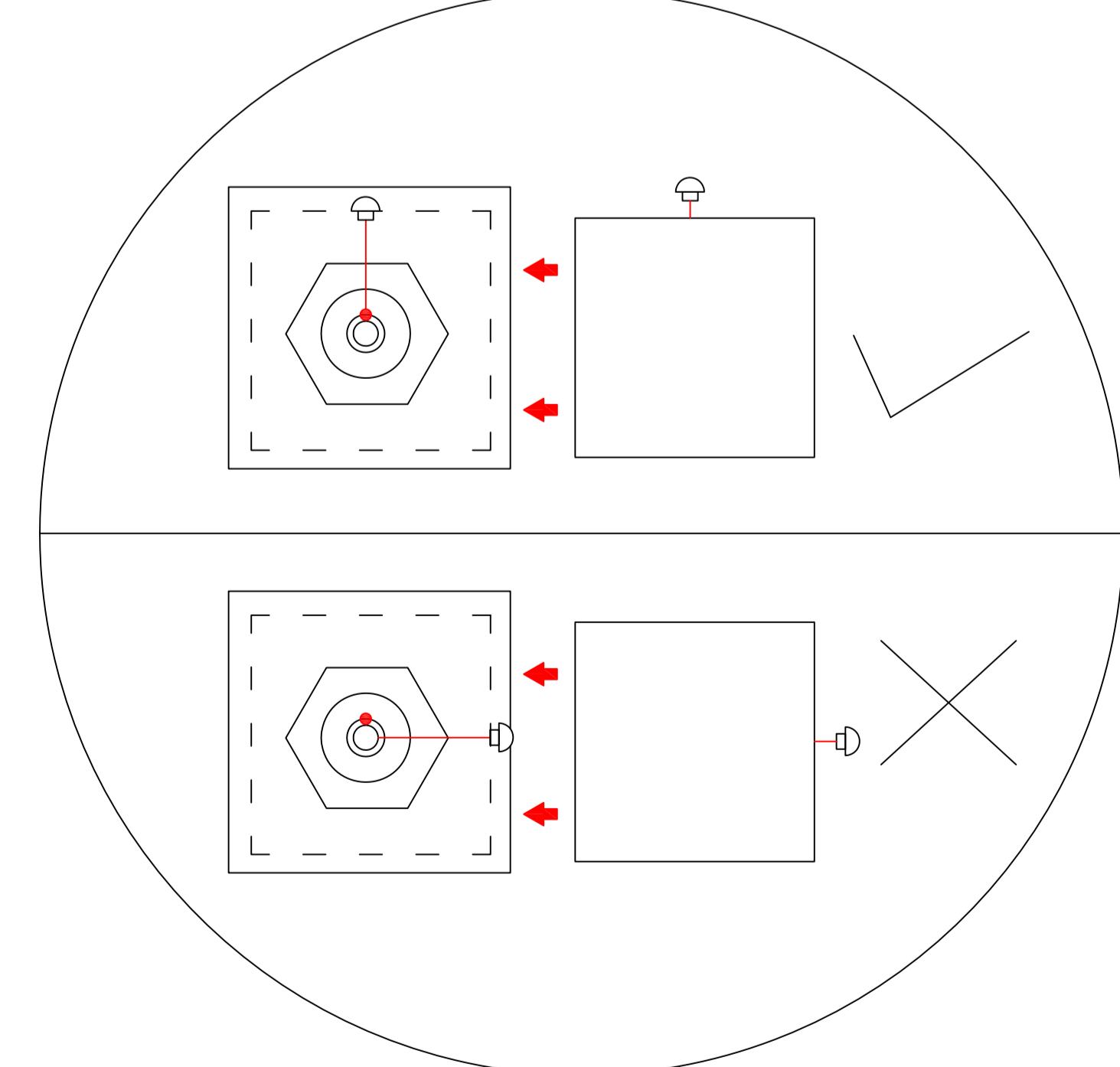
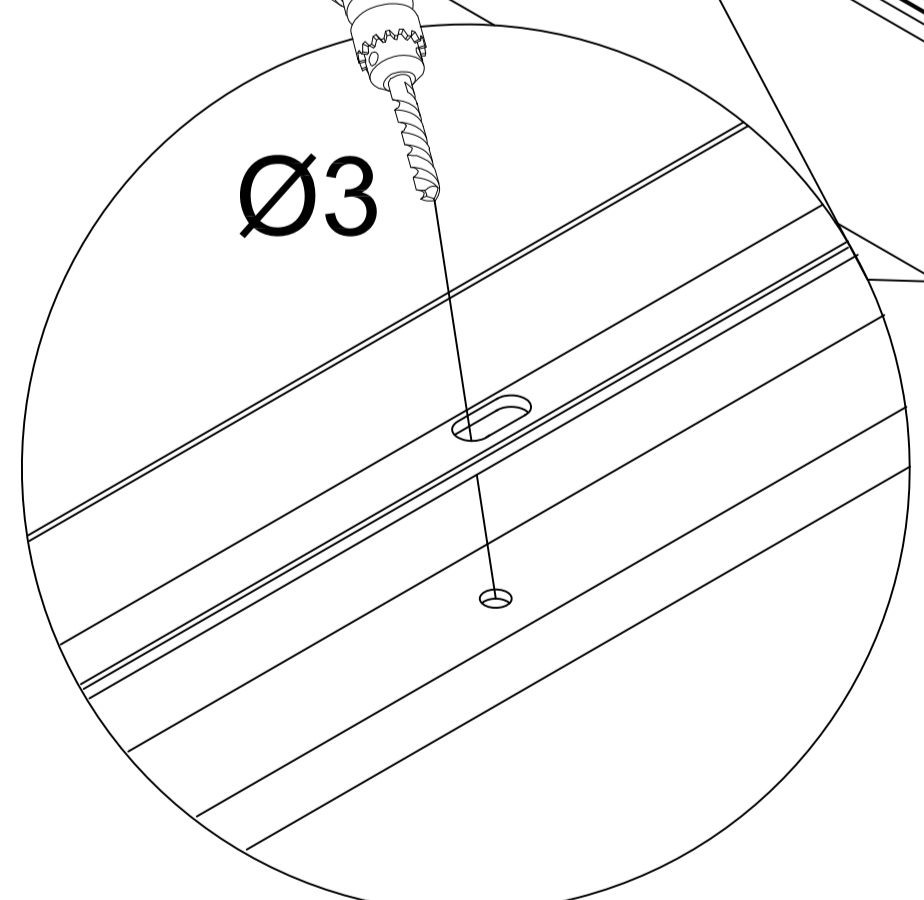
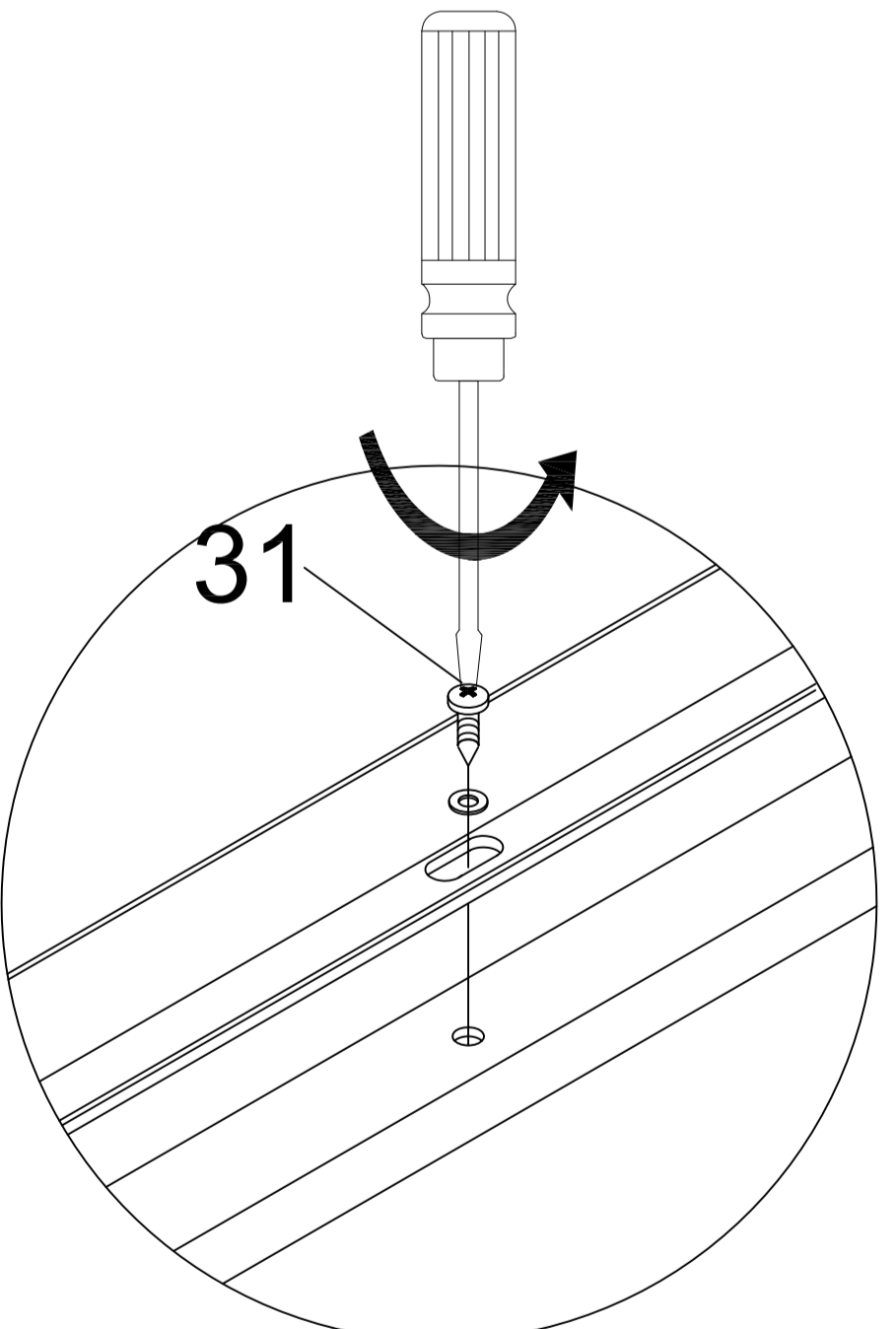
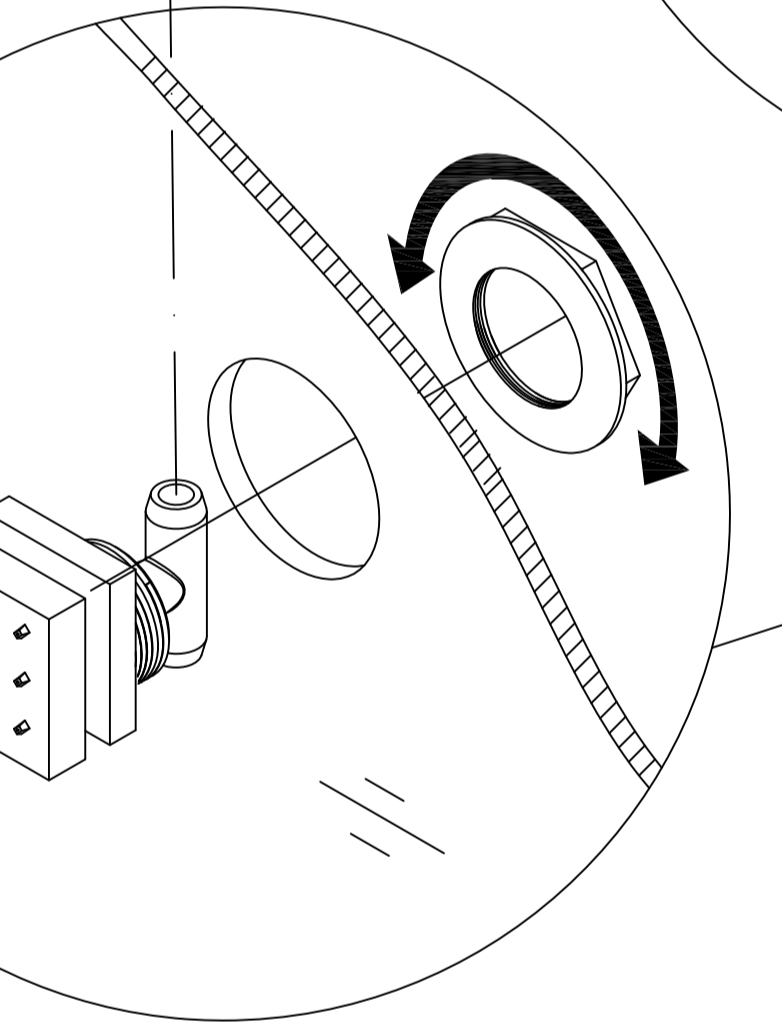
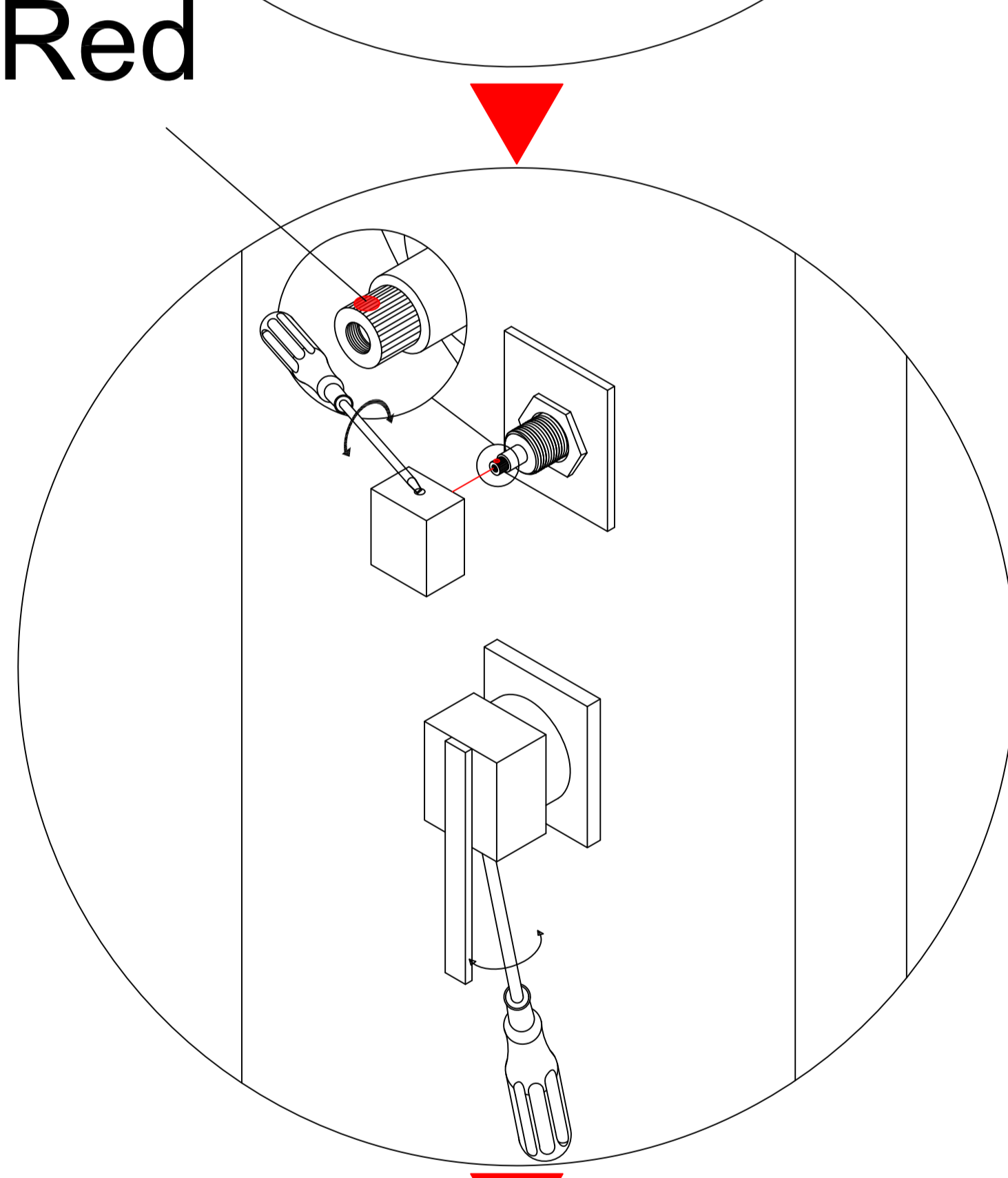
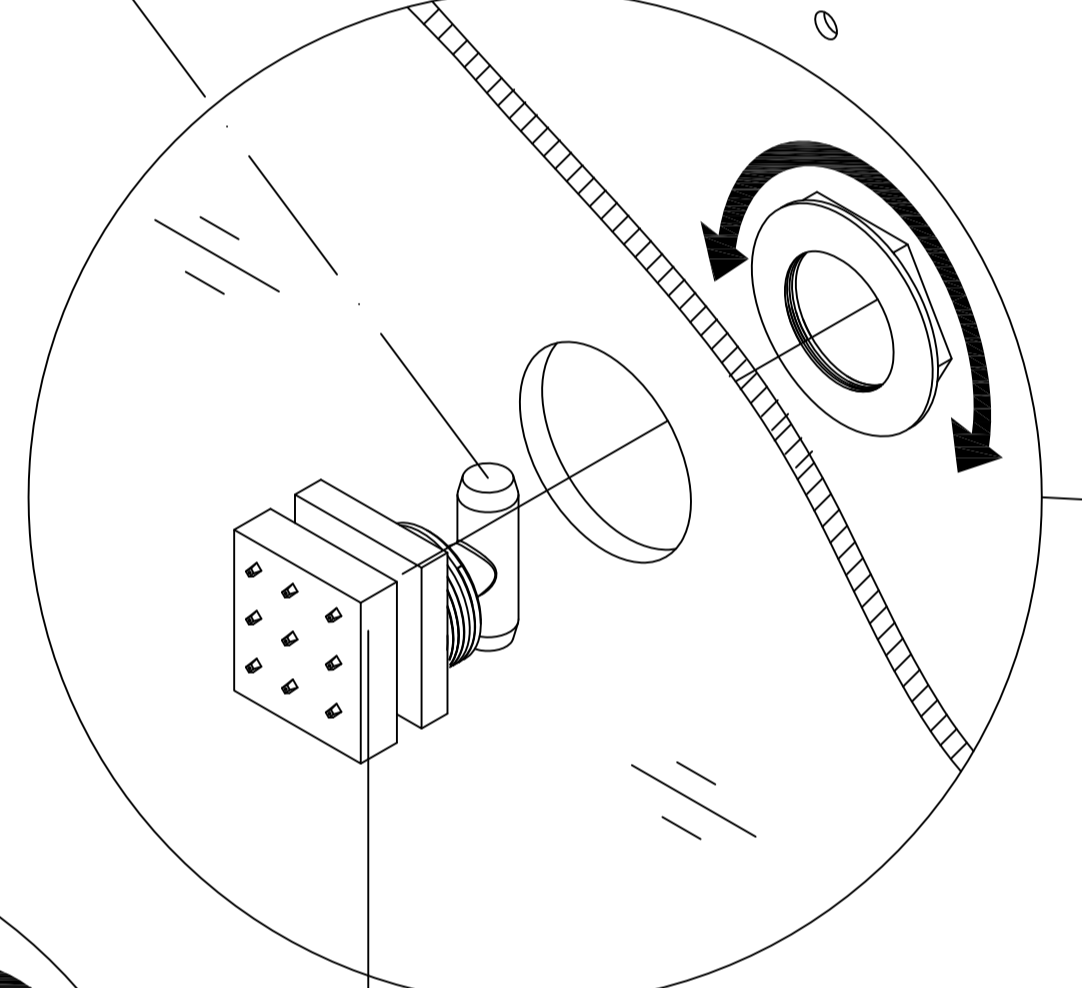
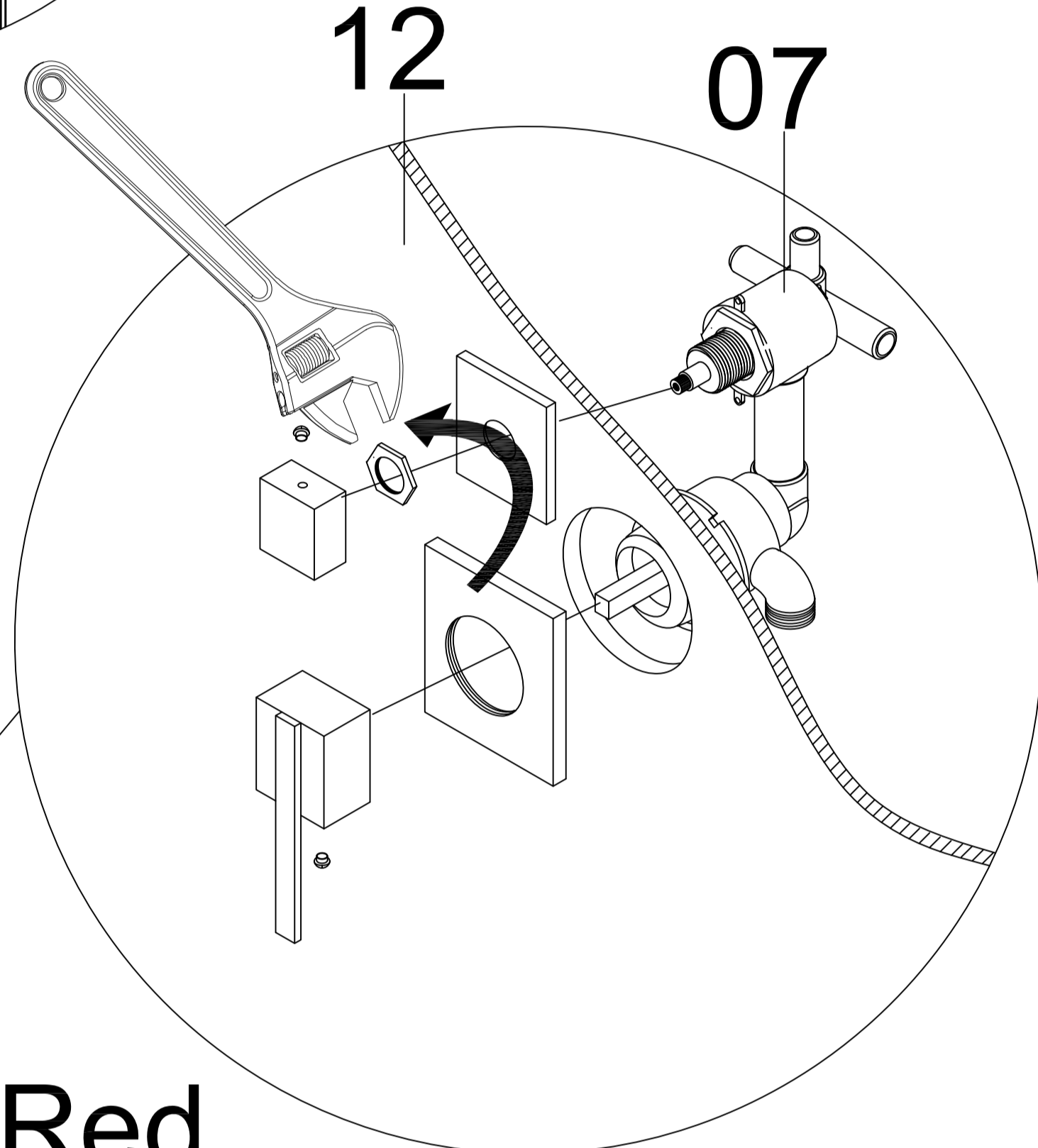
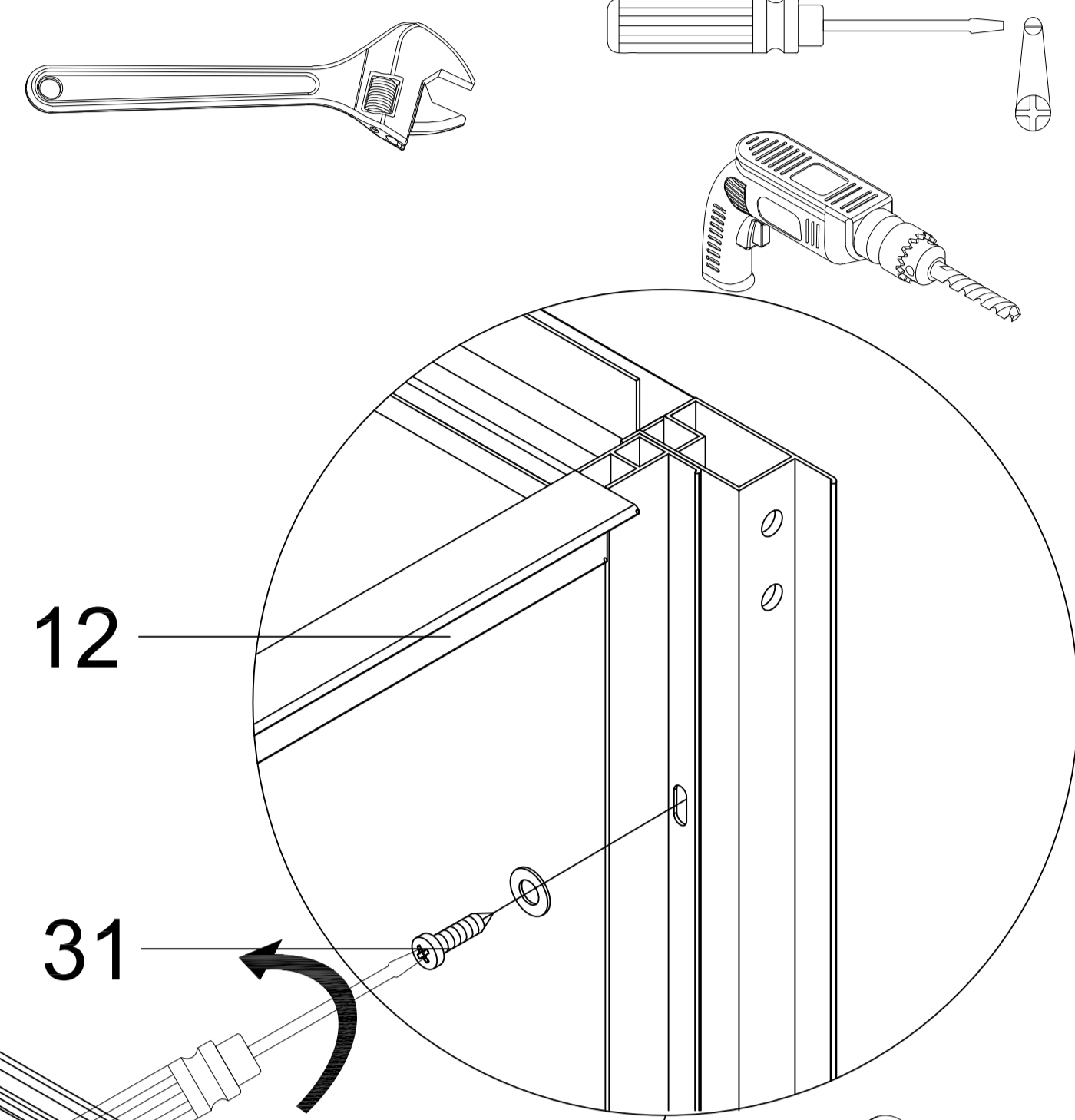
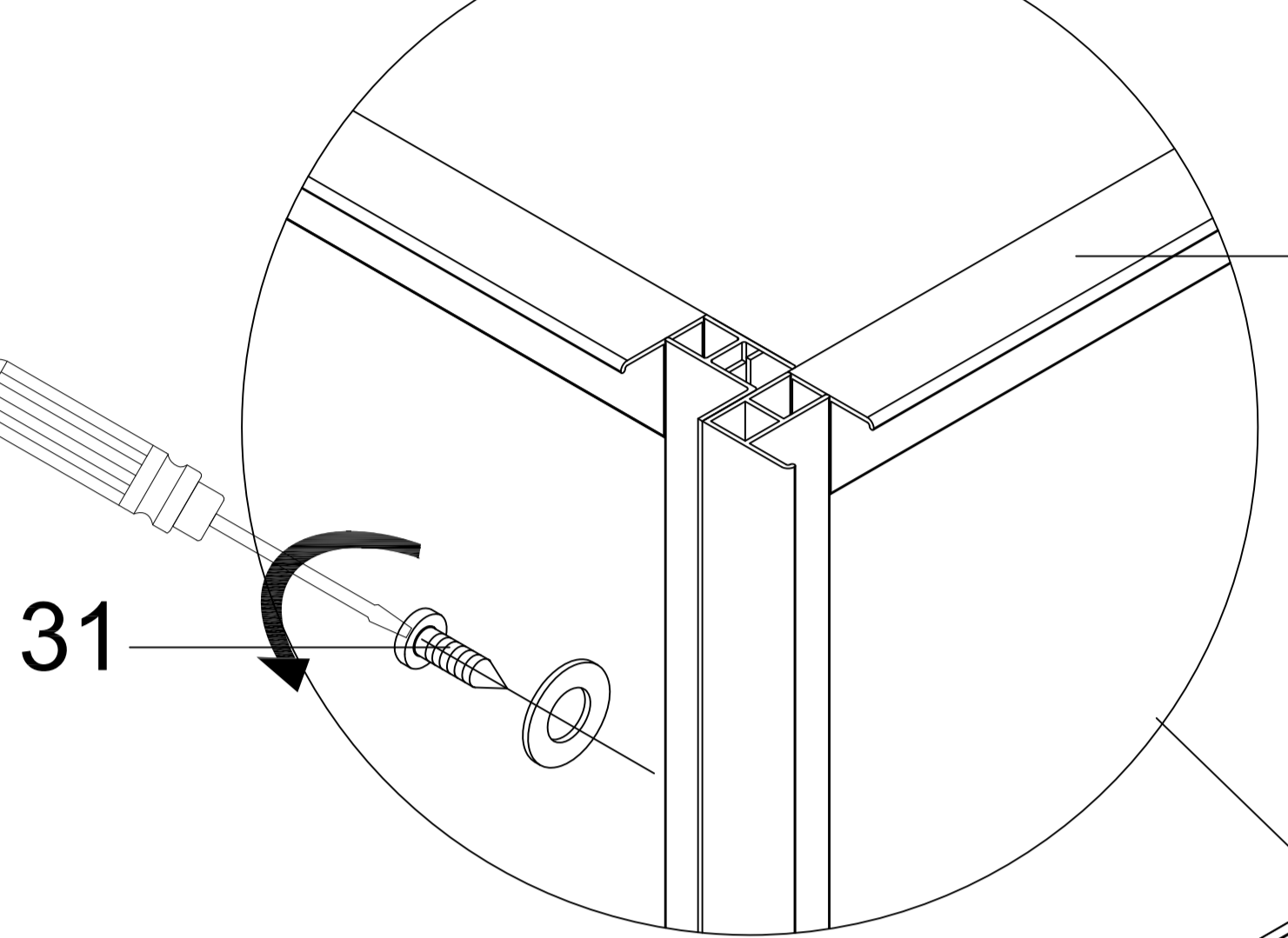
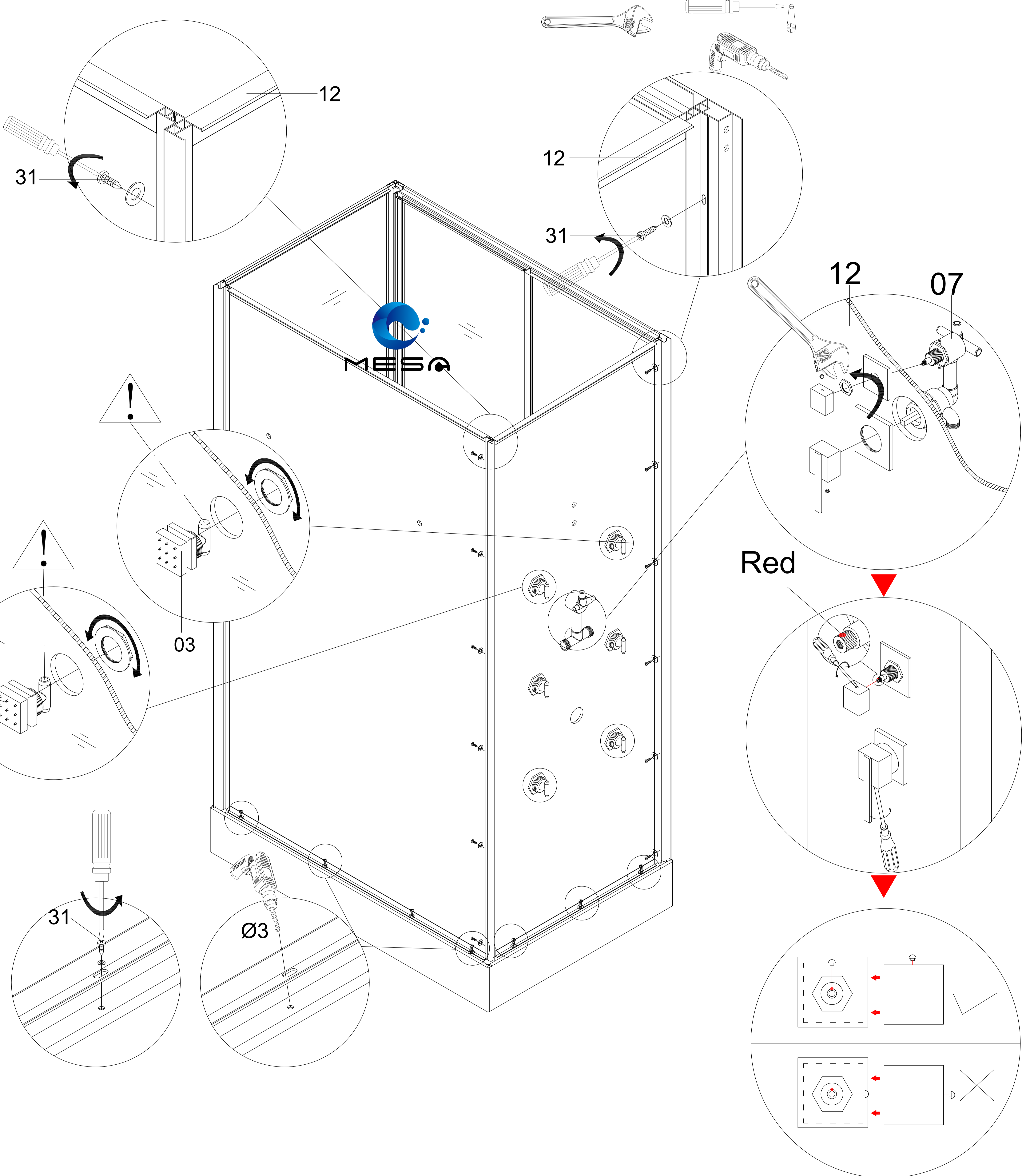
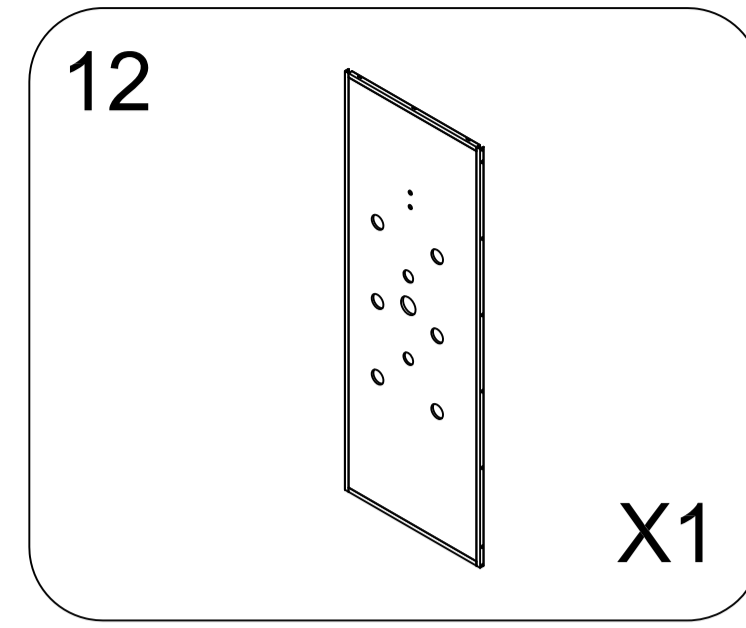
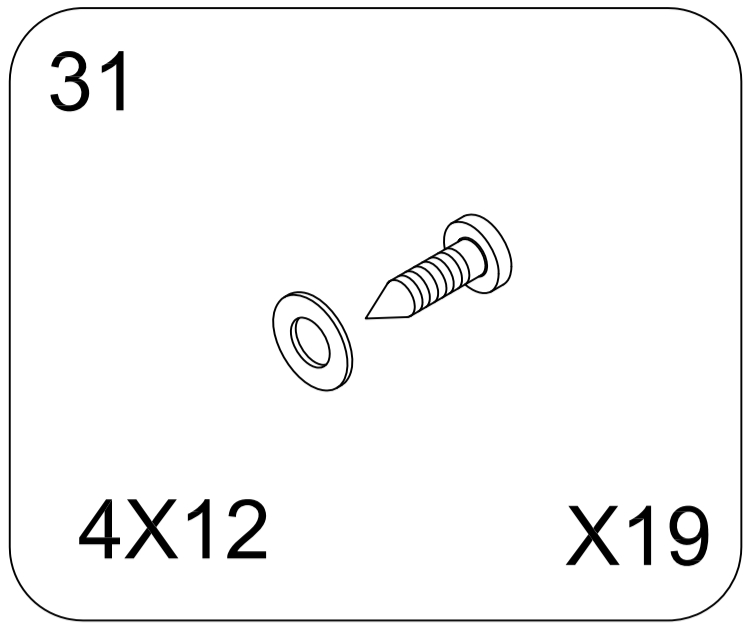
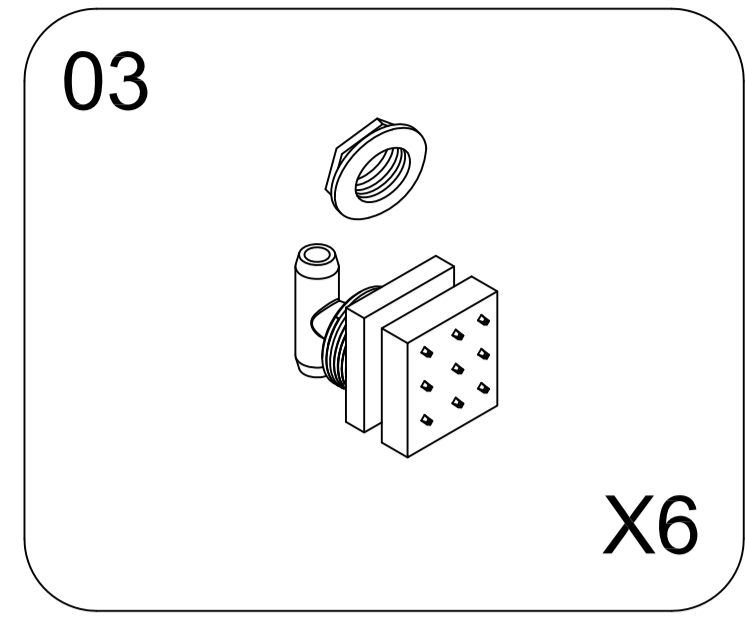
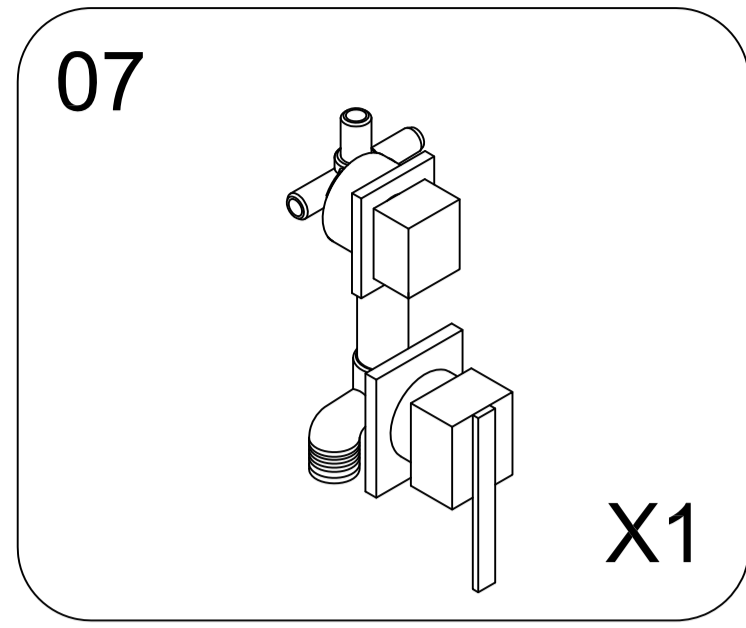
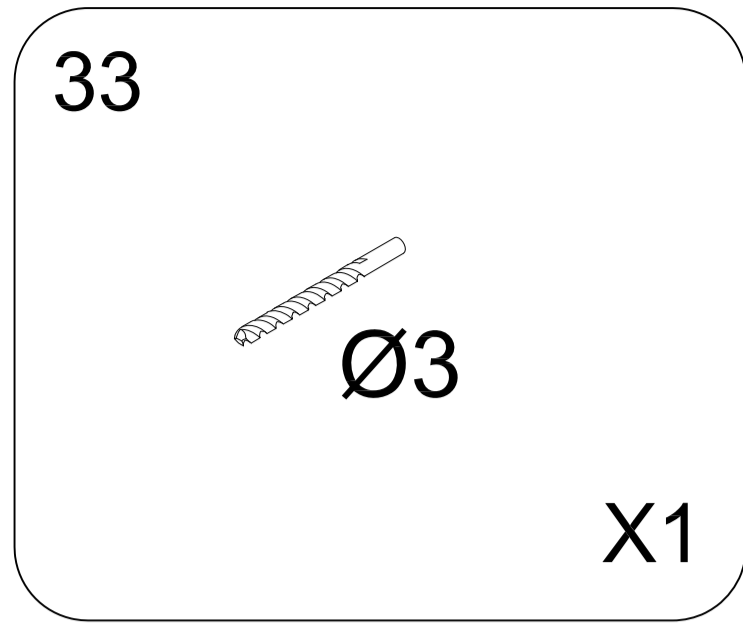
01  X1	02  X1	03  X6	04  M4X16 X7
05  X1	06  X1	07  X1	08  X1
09  X1	10  X1	11  X1	12  X1
13  X1	14  X1	15  3.9X50 X4	16A 16B  X1 X1
17  X2	18A 18B  X1 X1	19  X2	20  X1
21  X1	22  X1	23  X1	24  4X14 X6
25  3.9X40 X4	26  X2	27  X20	28  X2
29 30  X1 X1	31  4X12 X25	32  X2	33 34  Ø3 X1 X1
35  X1	36  X1	37  X1	38  X1
39  X2	40  X6	41  4X12 X2	

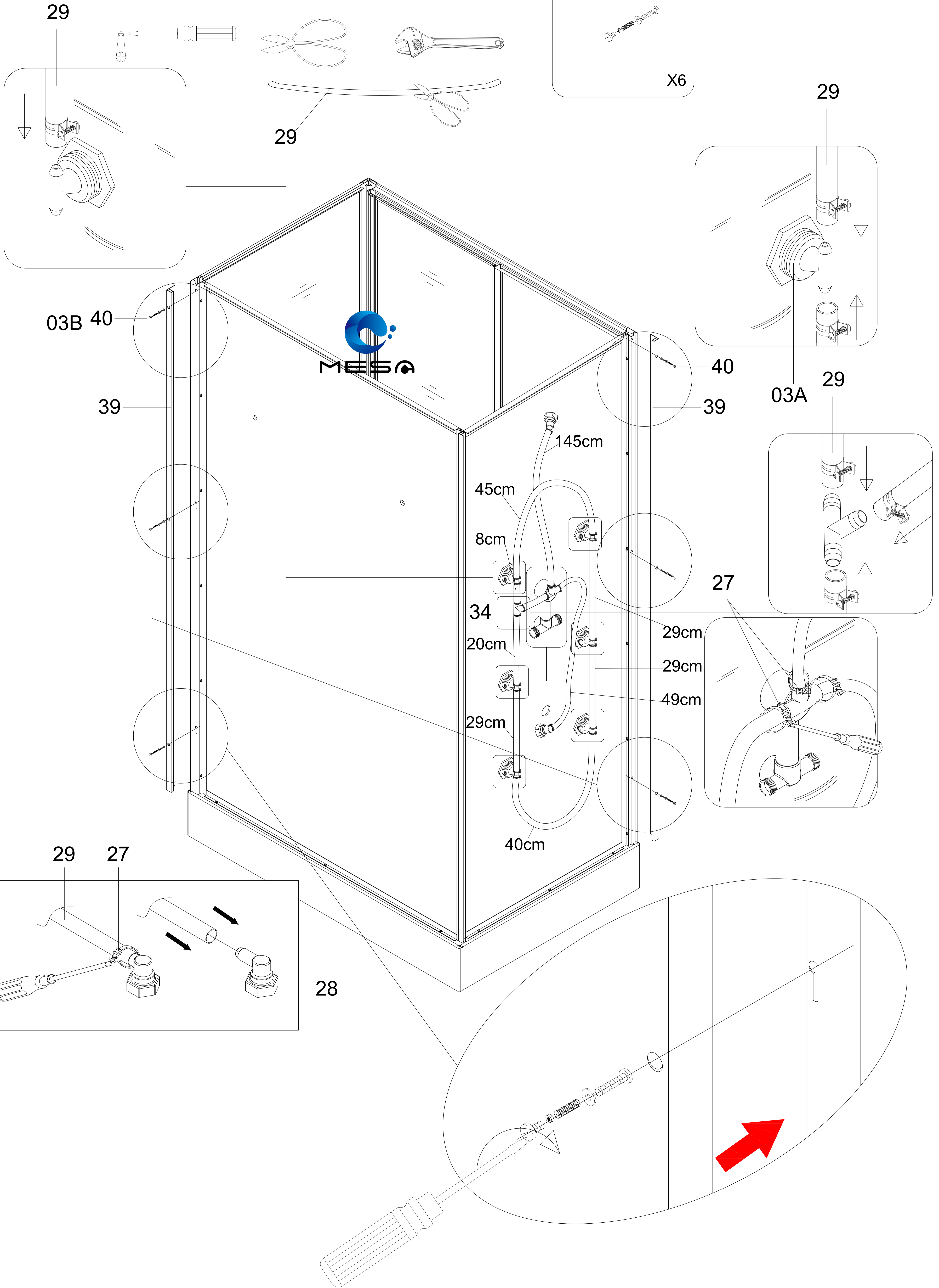
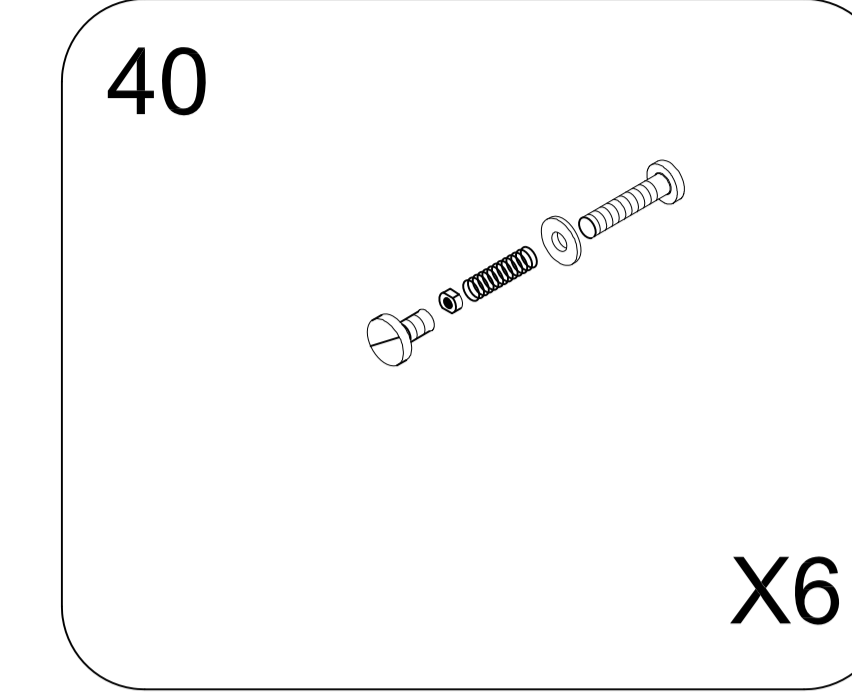
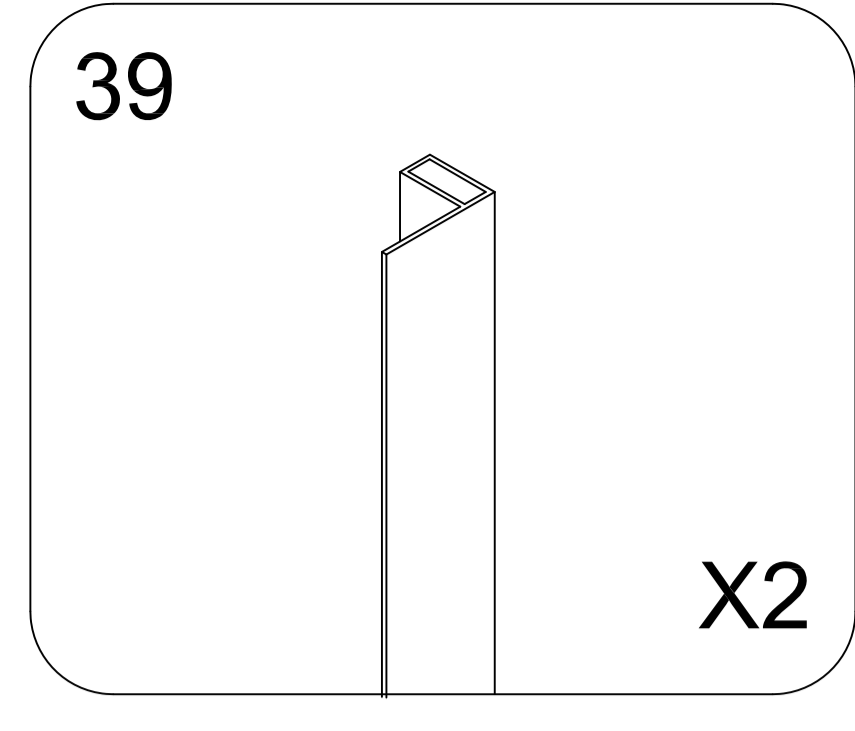
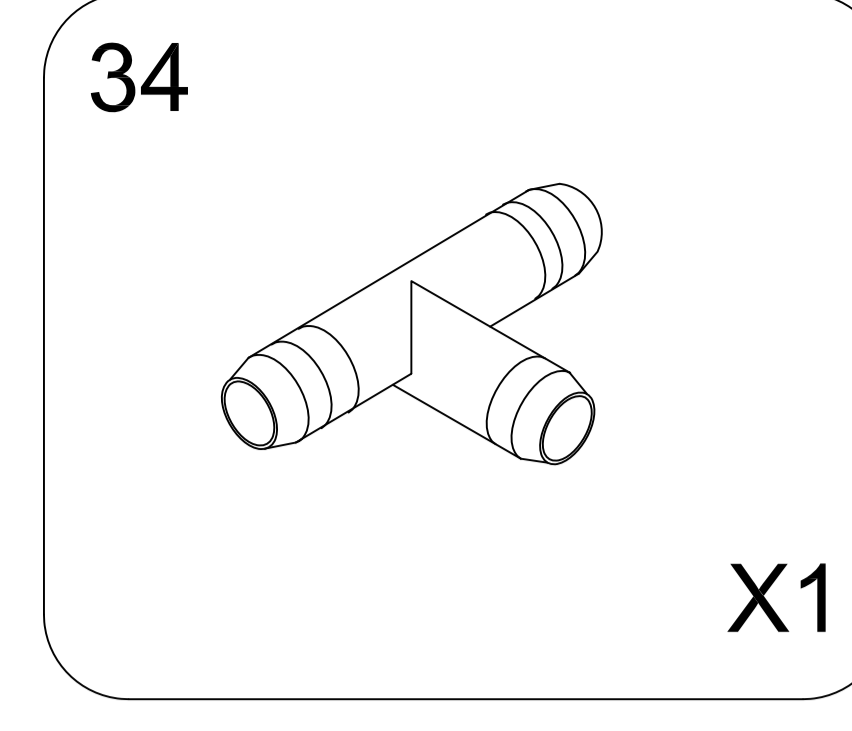
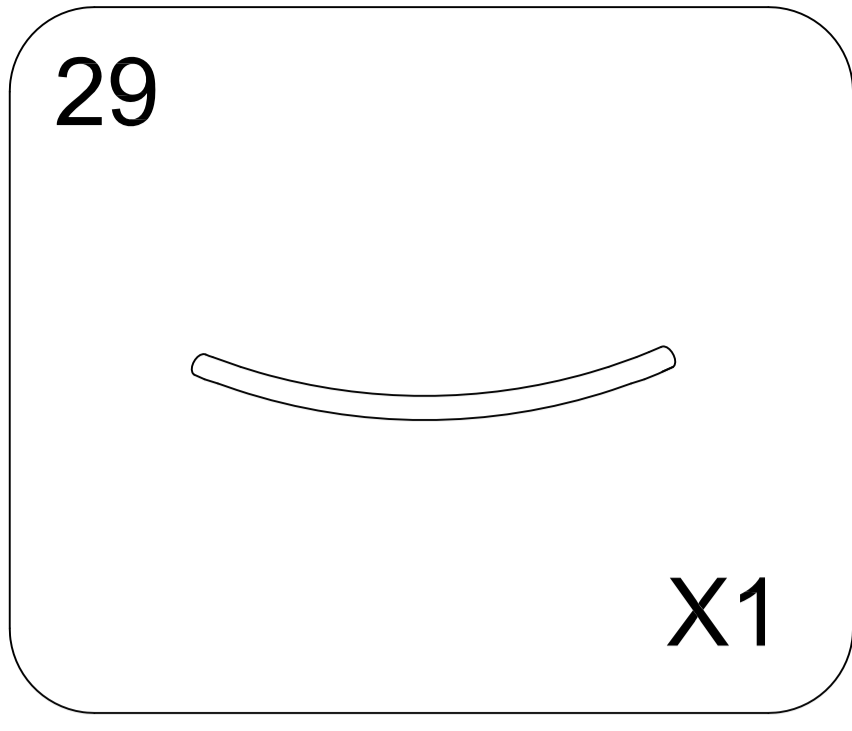
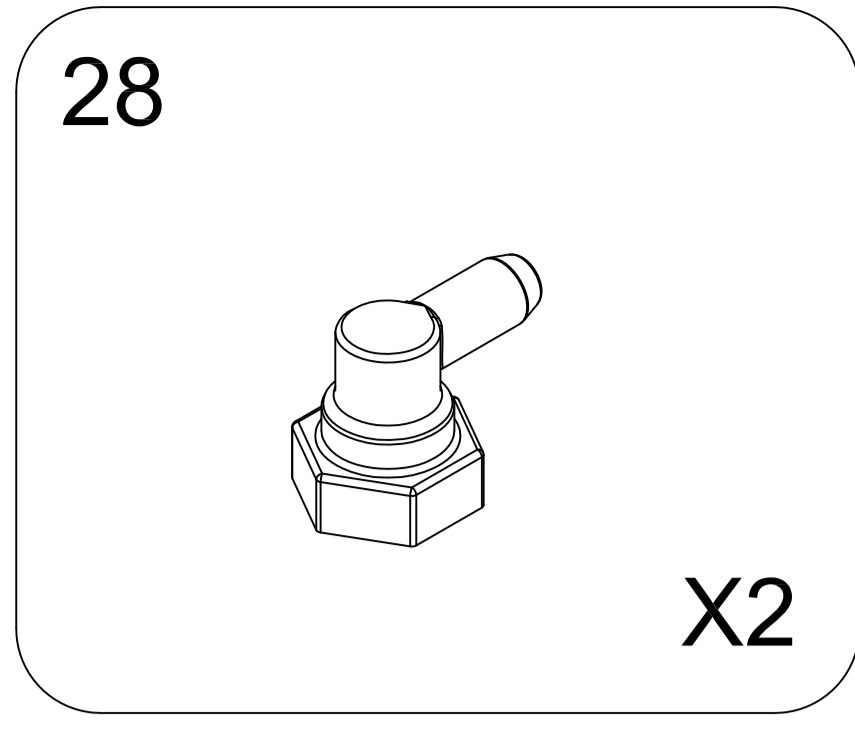
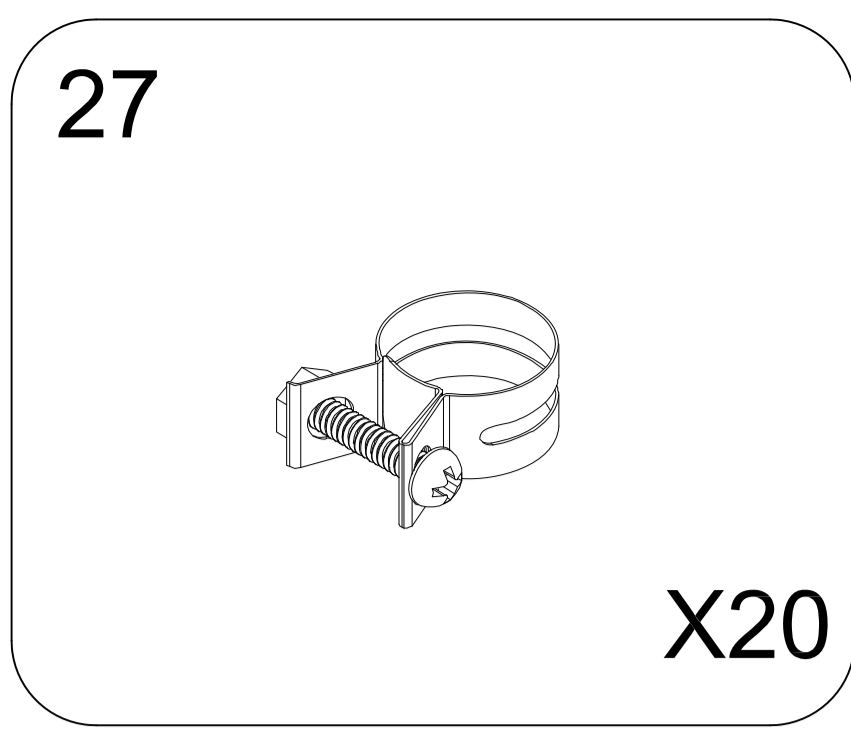


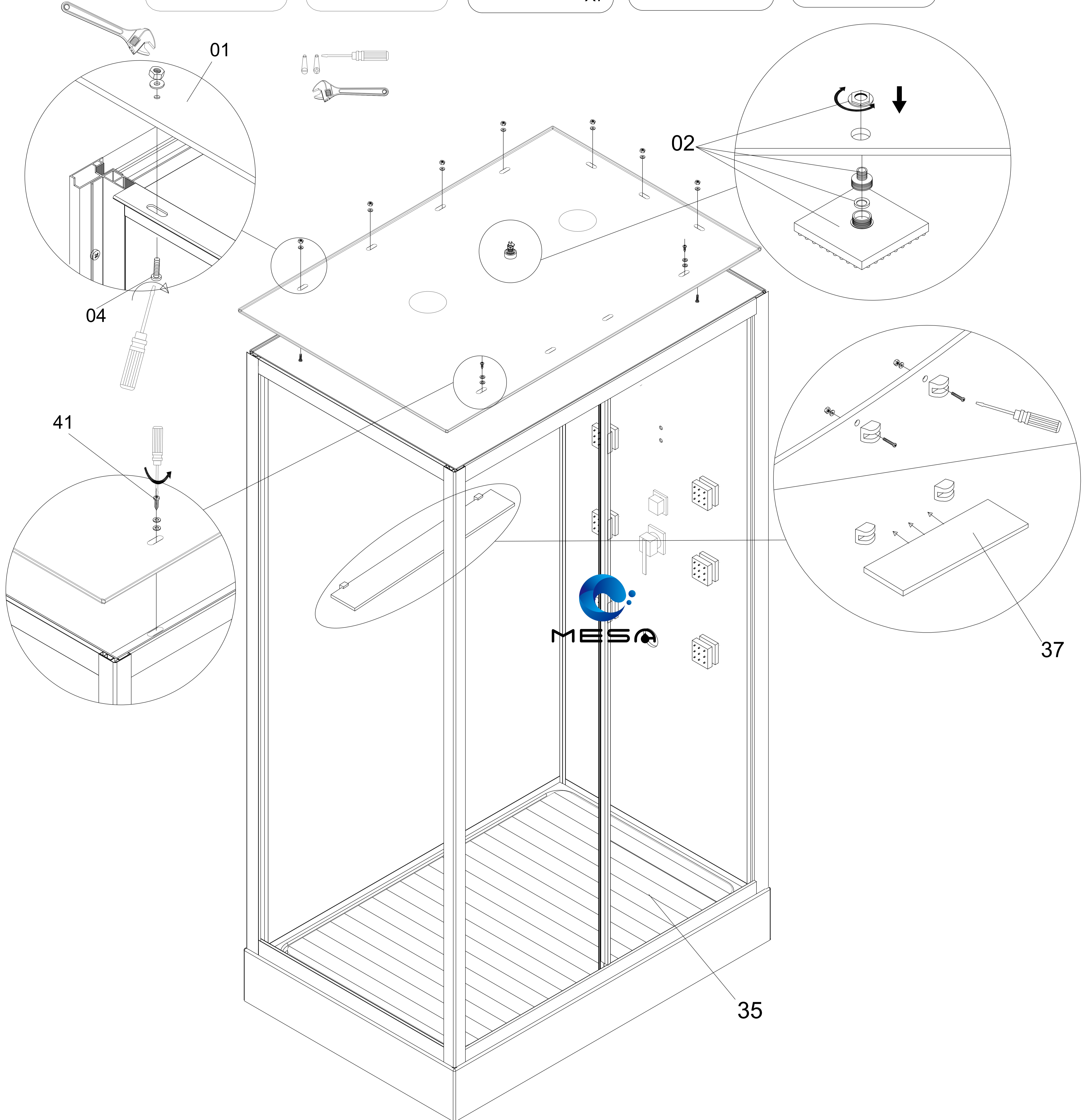
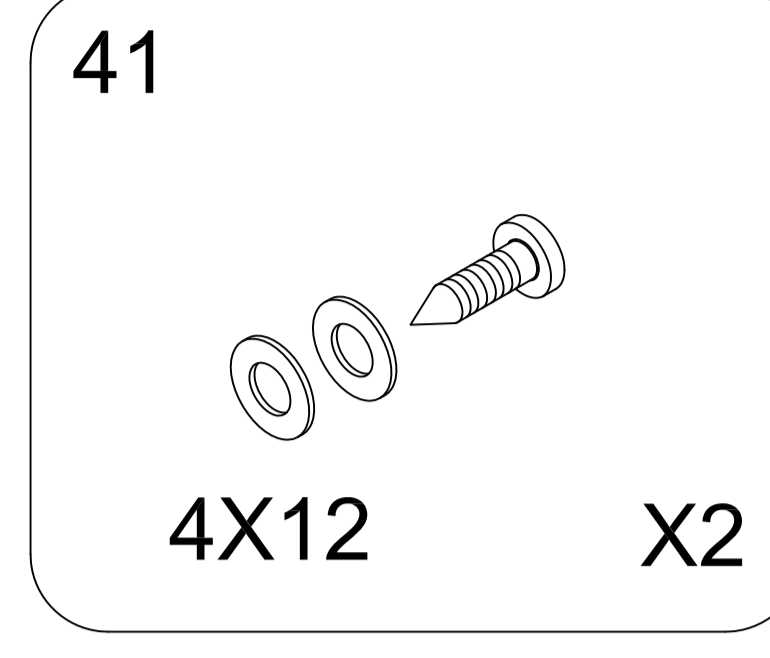
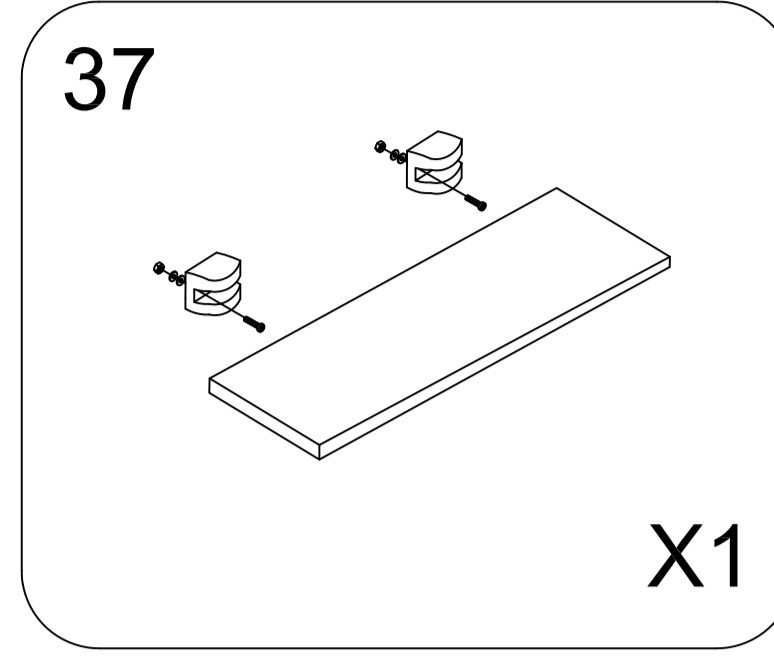
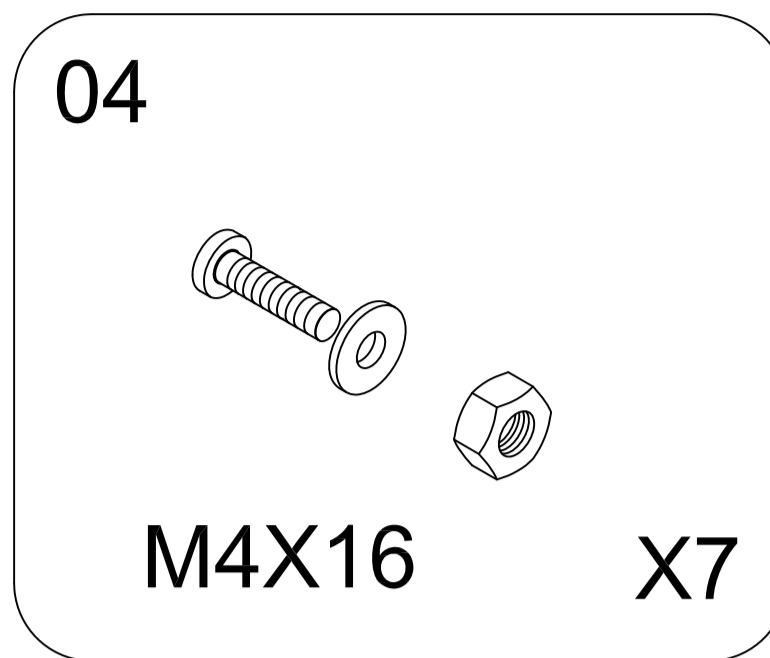
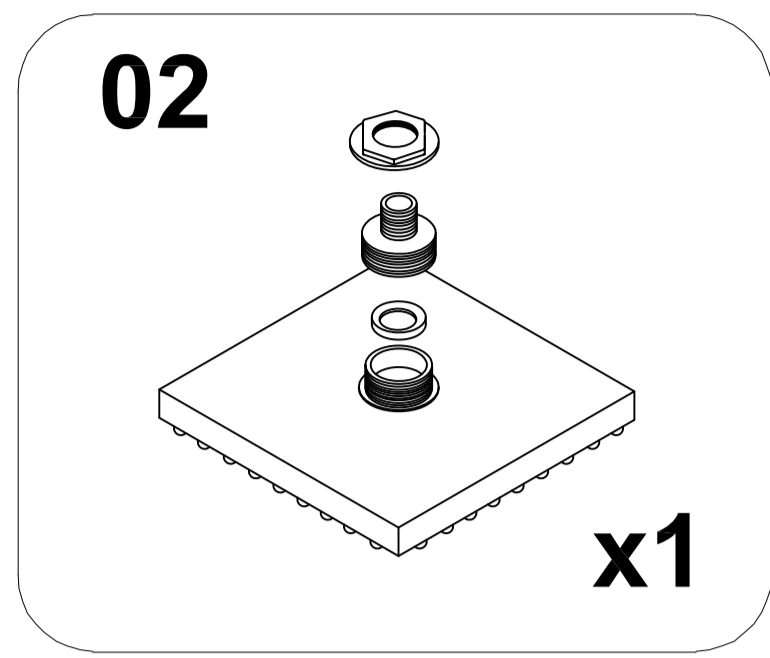
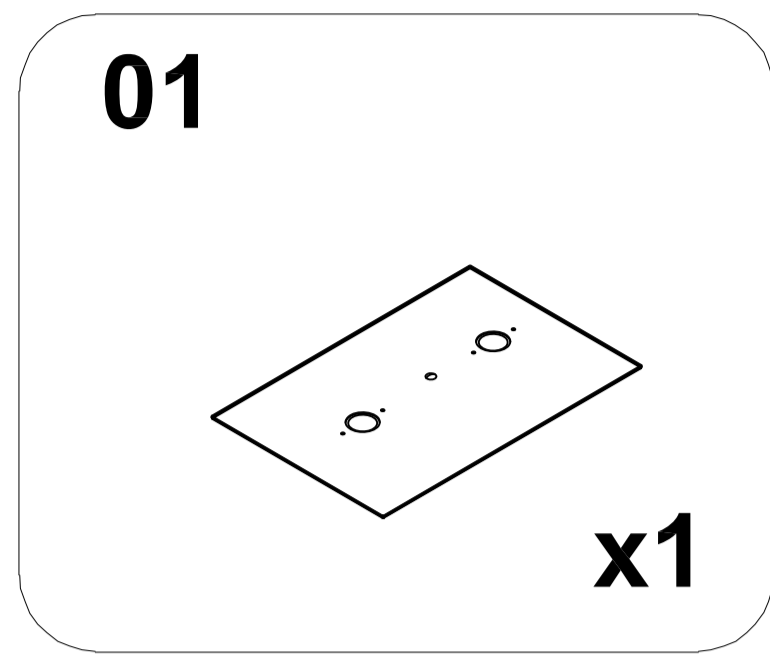


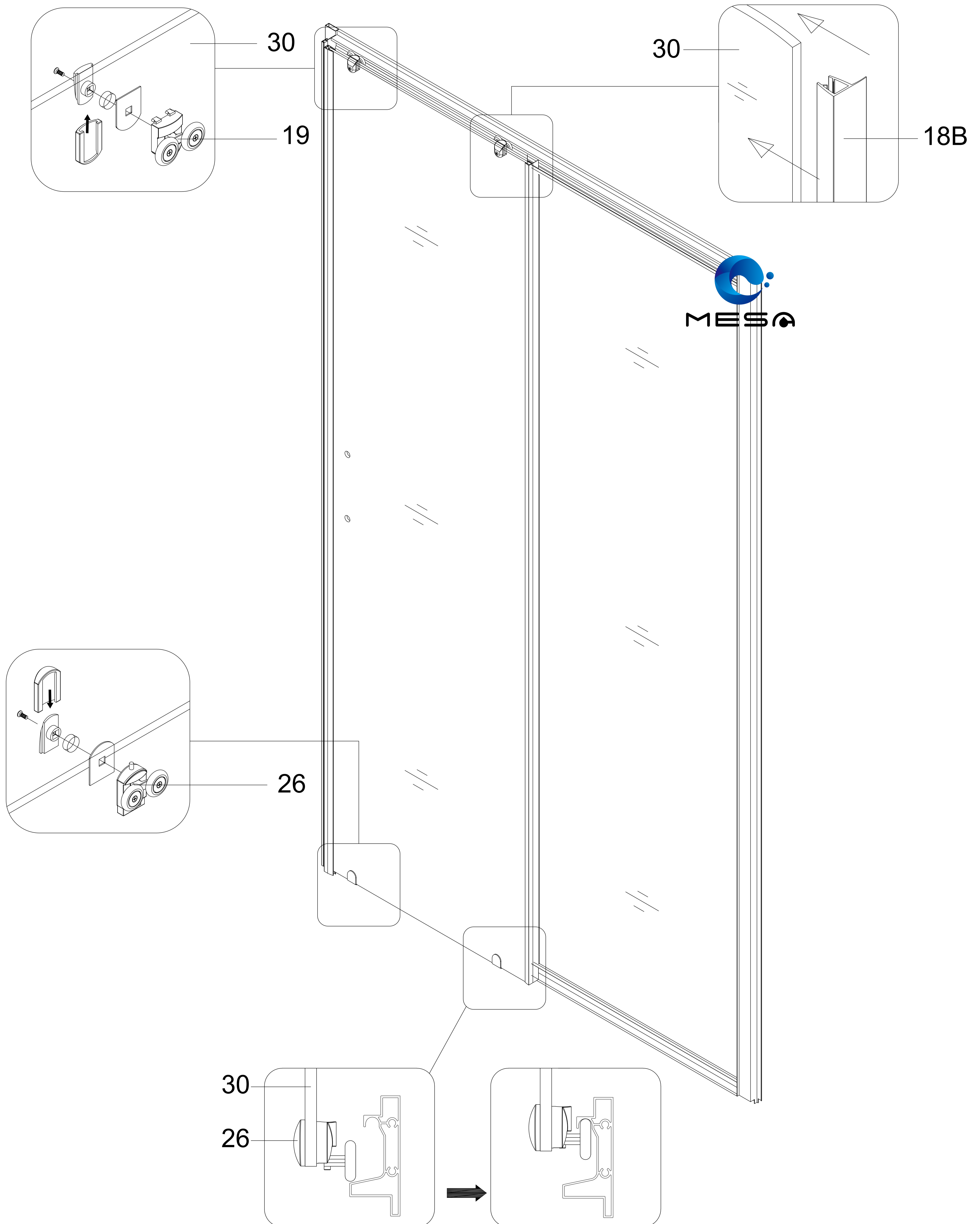
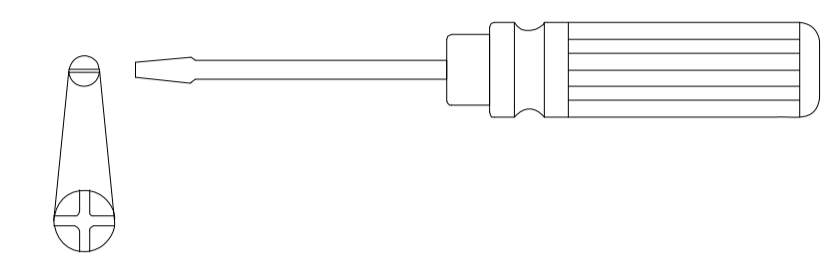
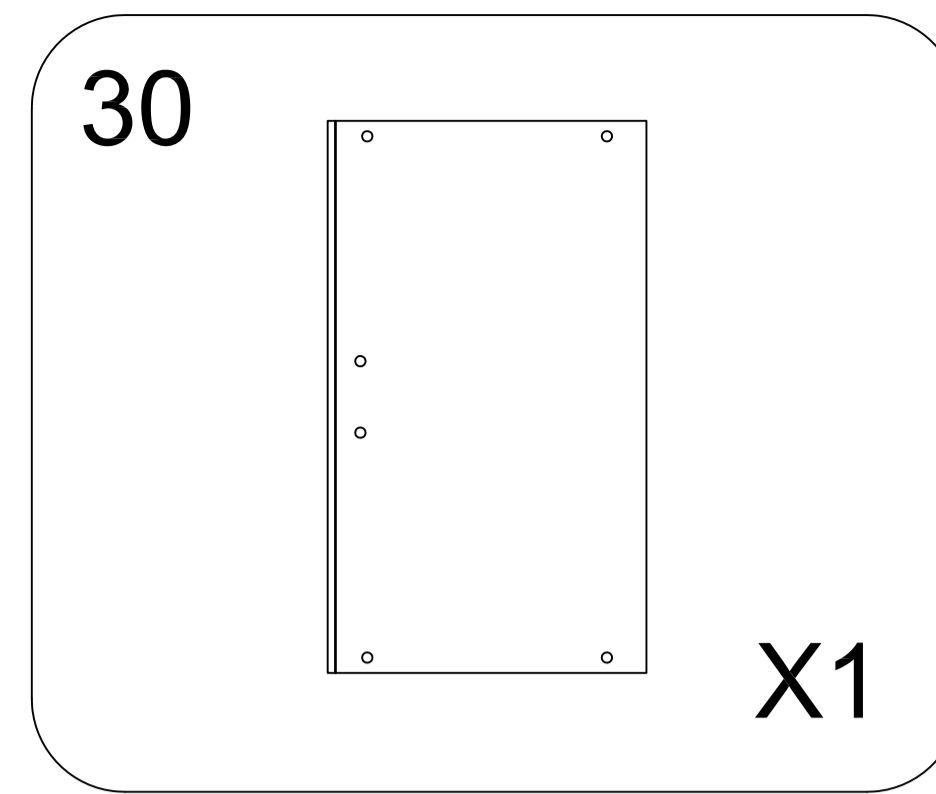
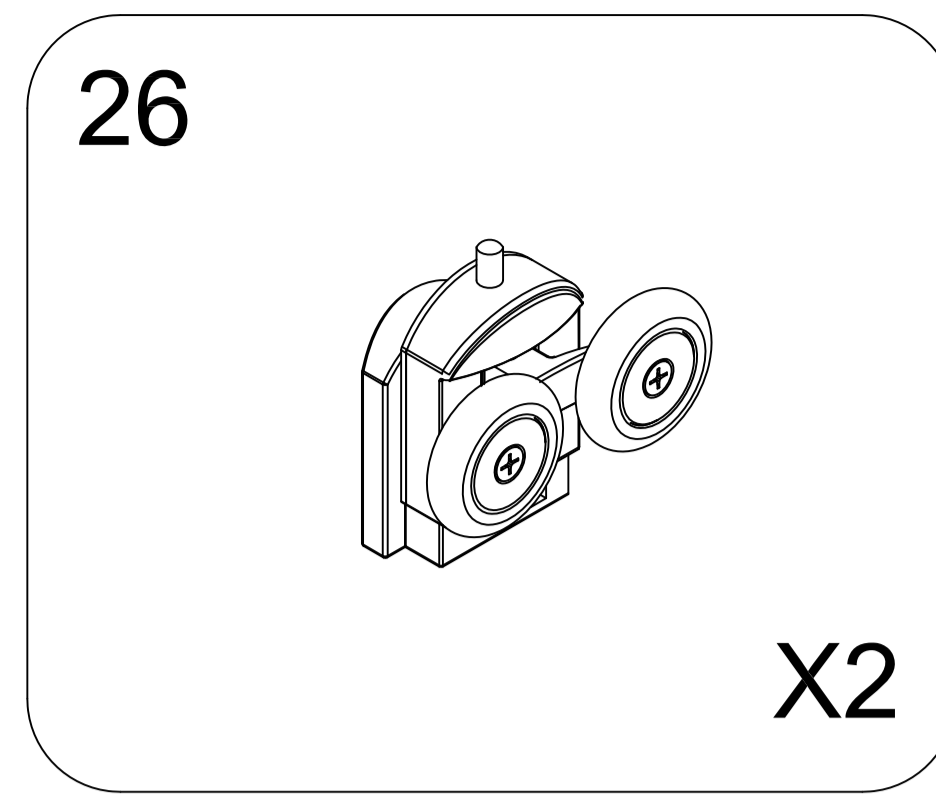
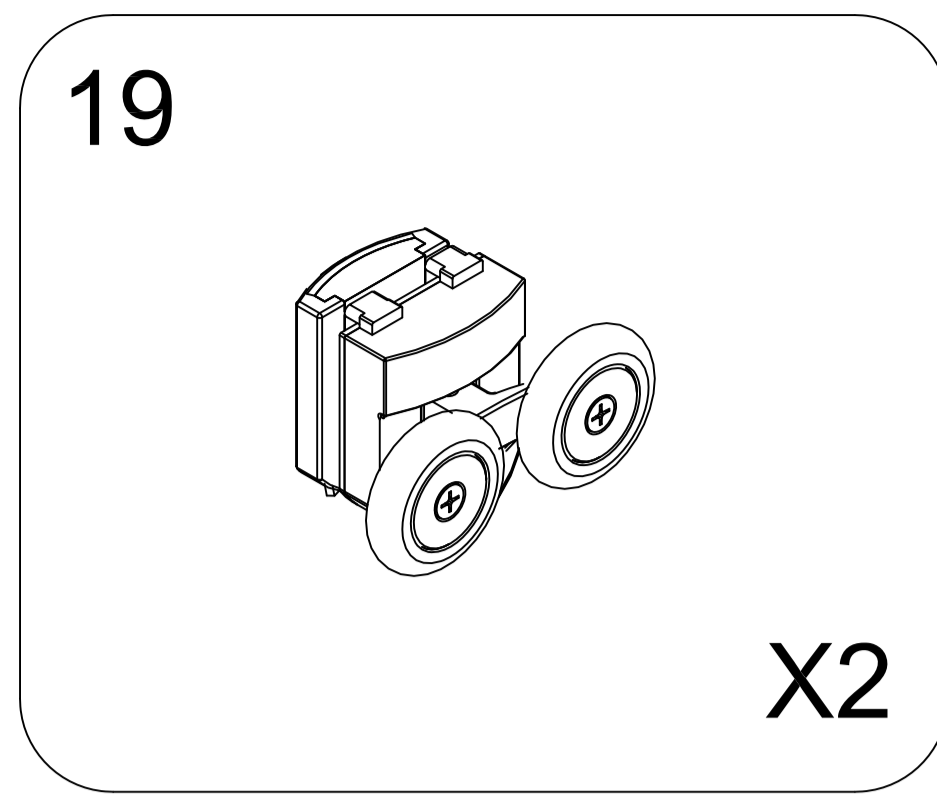
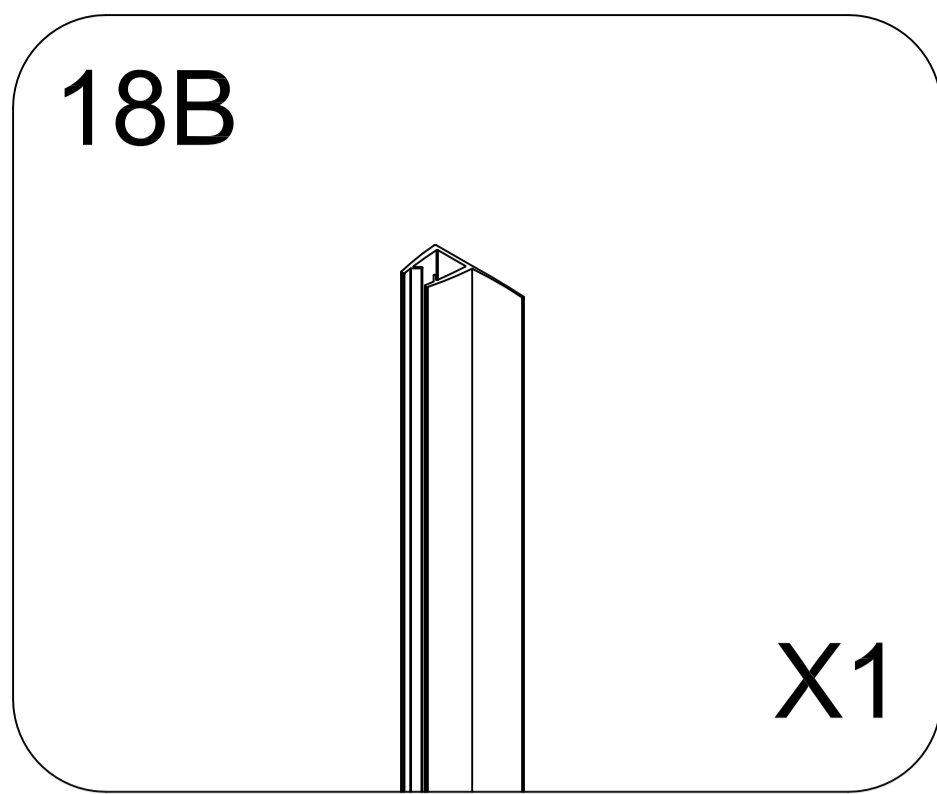


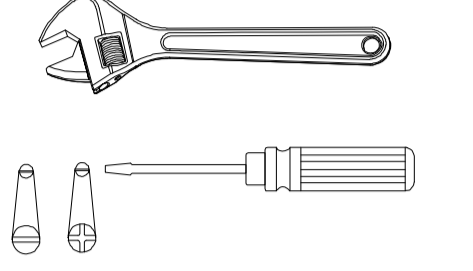
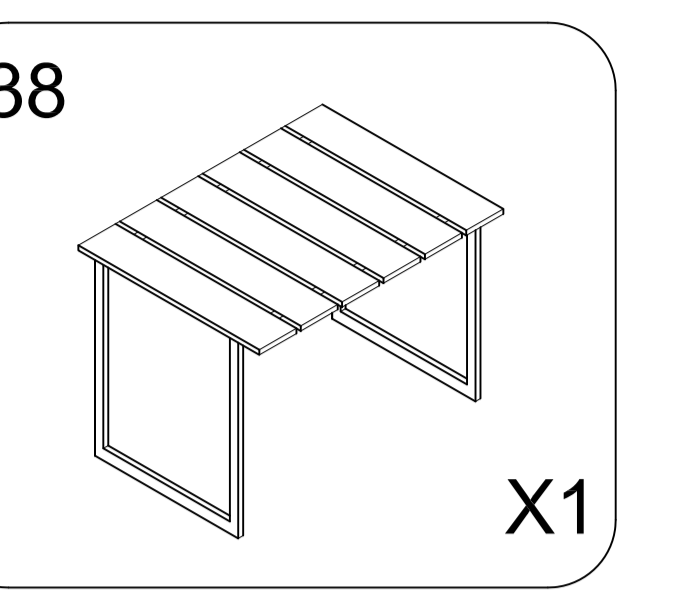
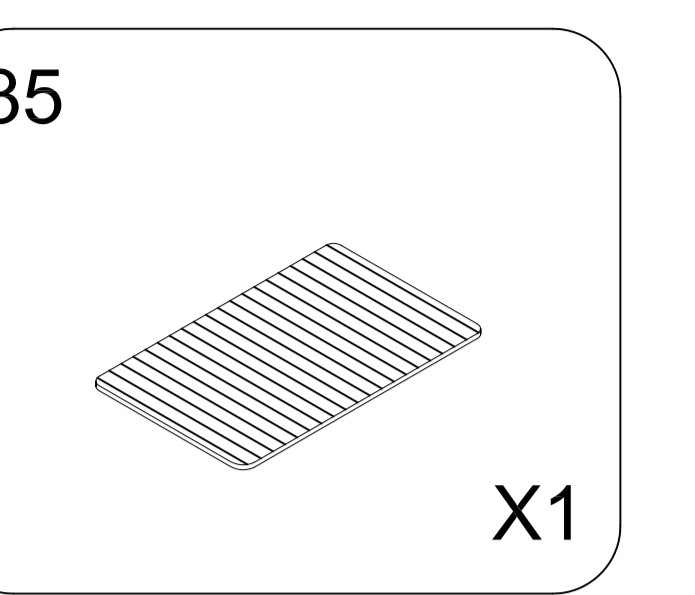
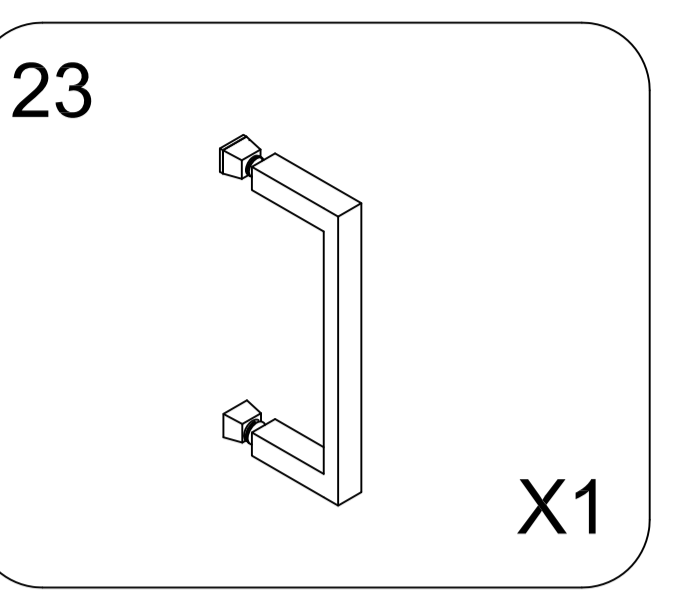
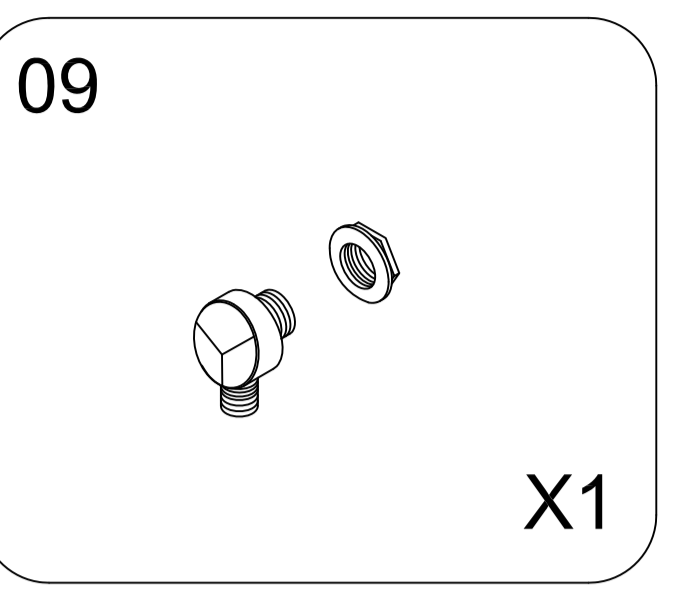
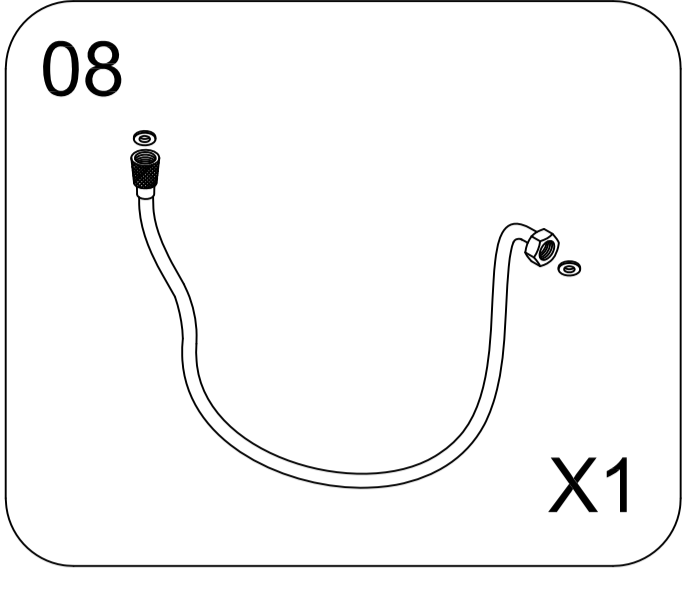
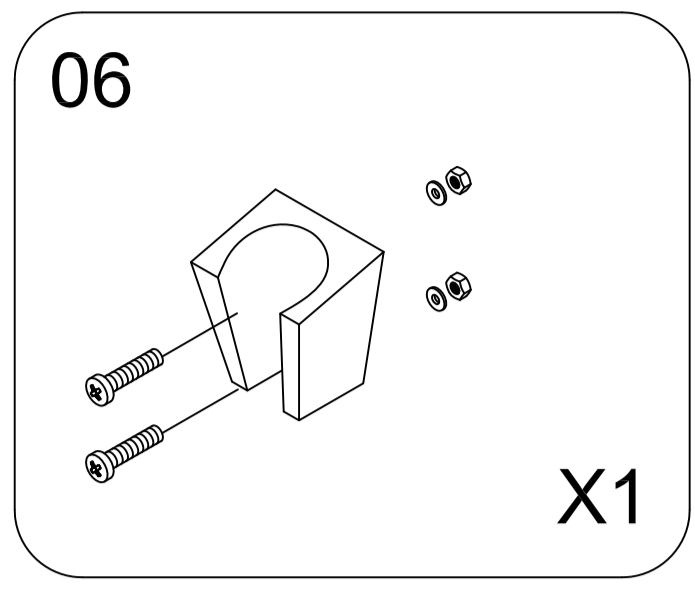
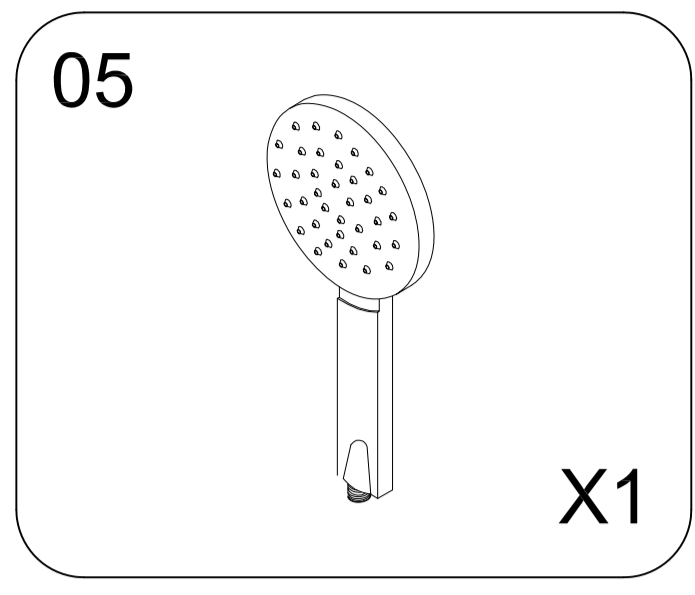












23

